

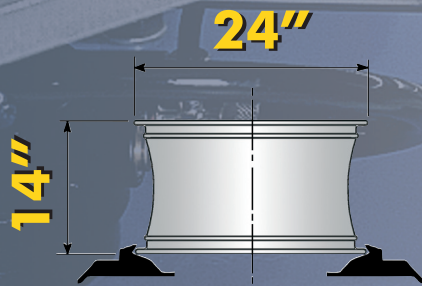
TEST AND GARAGE EQUIPMENT

1. Swing arm movement with automatic adjustment of vertical height and mounting tool.

2. The rounded column as air tank for tubeless inflation system.

3. Adjustable clamping system (Patented) can be used to increase quickly the maximum opening of the jaws.

4. Powerful bead breaker blade.



15" opening



Semi-Automatic swing-arm
tire changer
for rims up to 24 inches

F 24 USA

Technical data

Self centering chuck opening	10" ÷ 24" (→←)
Self centering chuck opening	13" ÷ 26" (←→)
Bead-breaking power (blade) (10 BAR)	3420 lbs at 145 psi (15.500 N)
Bead-breaking blade opening	15" (380 mm)
Max. wheel diameter	47" (1200 mm)
Max. wheel width	3" ÷ 14"
Working pressure	145 psi (10 BAR)
Noise level when running	≤ 70 dB (A)
Three-phase motor	0,55 kW - 230/380 V - 50 /60 Hz
Single-phase motor	0,75 kW - 115/230 V - 50 /60 Hz
Max. self centering torque	700 ft-lb (1.200 Nm)
Tank capacity	4,2 gal (16.000 cm ³)

Supplied accessories



Optional accessories

ALLY 24 Bead lifting/pressing multipurpose device	Set of 5 special plastic pads for tool head	Set of 12 jaw pads
Stroke regulator for bead breaker	Set of 6 plastic covers for blade	Universal bead clamp
Set of 10 special plastic inserts for tool head	Set of 6 plastic covers for tire lever	Plastic tool head

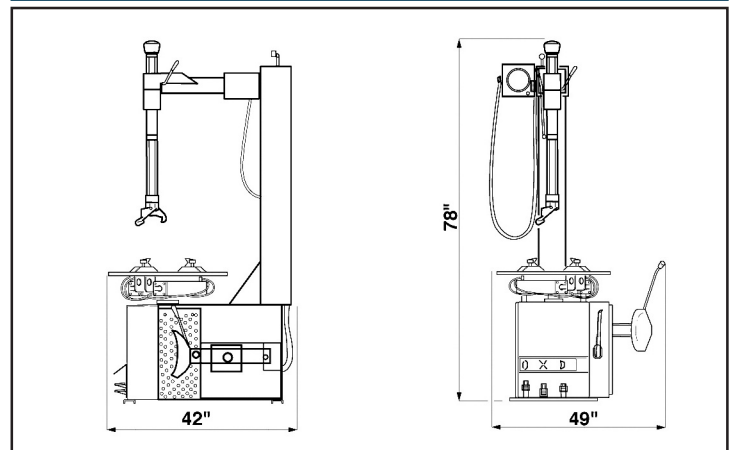
Other accessories are available upon request. For information, please consult our illustrated catalogue.



F 24 USA + ALLY 24

The illustrations, configurations and technical features in this publication are intended to present the product only, and are subject to variation.

Dimensions



SIMPESFAIP S.p.A. - Società Unipersonale
Engineering, Test and Garage Equipment
 - A Nexion Group Company -
 Via Dinazzano, 4 - 42015 Prato di Correggio (RE) Italy
 Tel. +39 0522/736087 - Fax +39 0522/736716
 www.hpa-faip.it - e-mail: info@hpa-faip.it

