



# TYRE CHANGER F 26 A BIKE

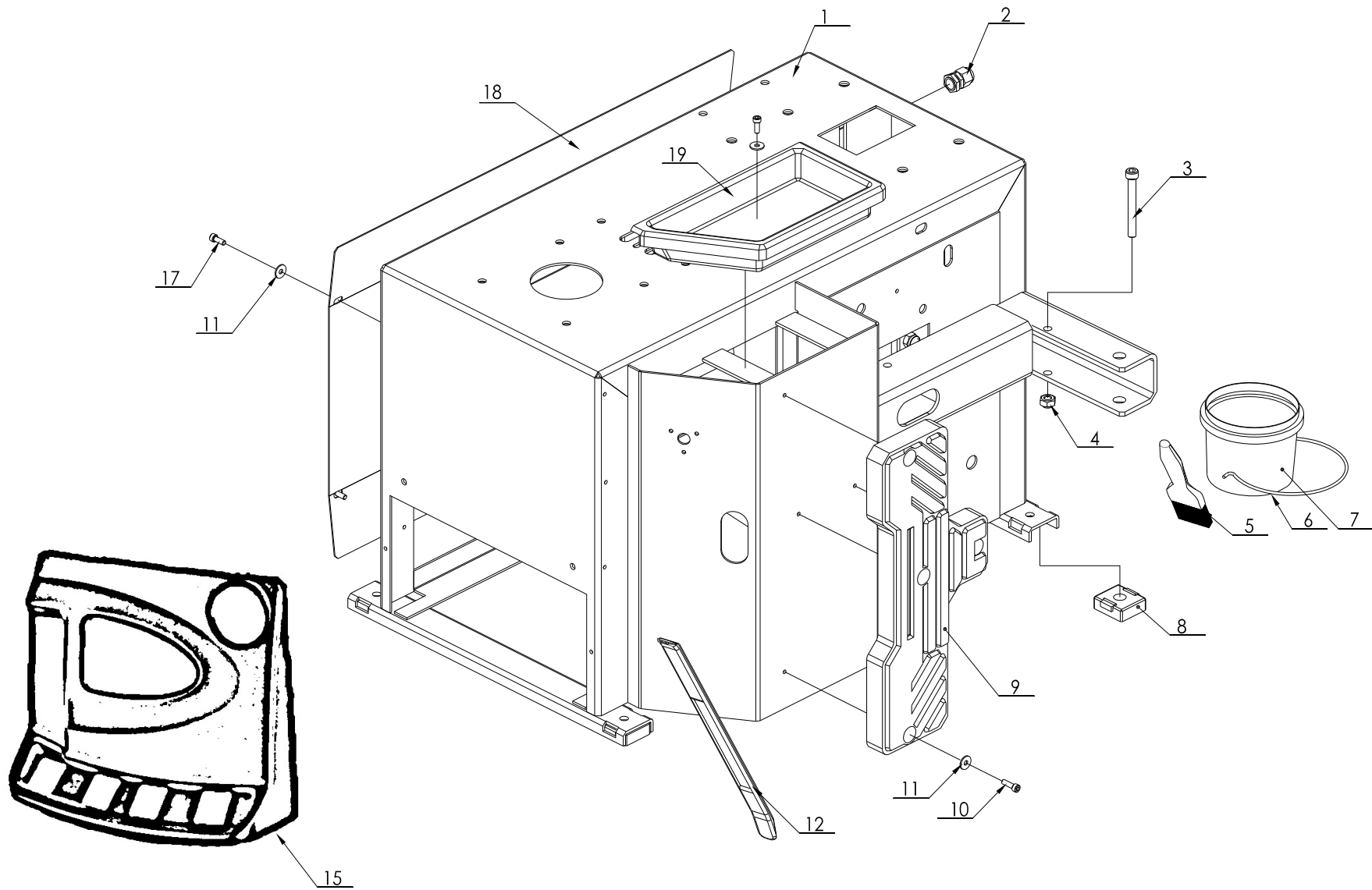
Rel. 2 07/2020



**Spare parts list**

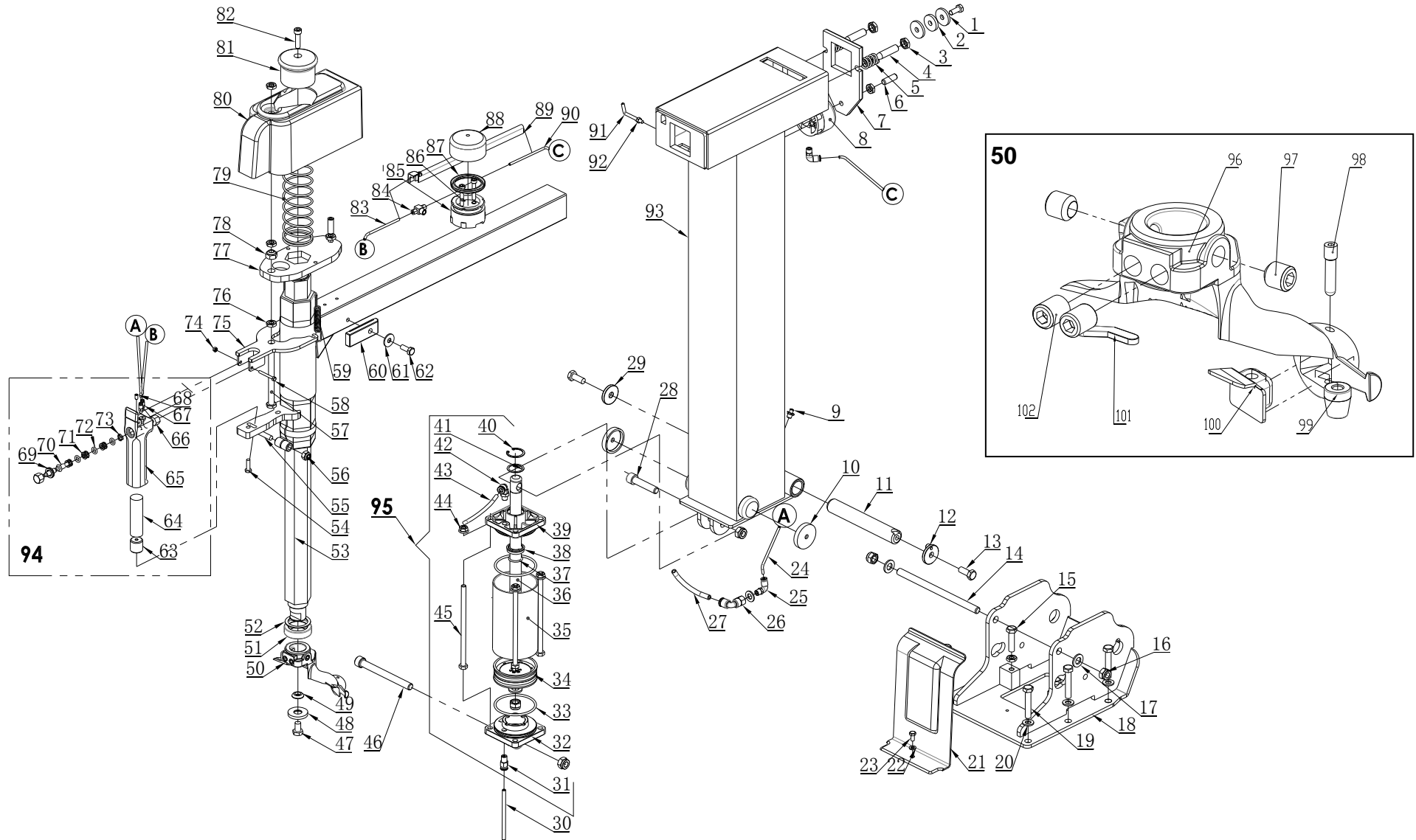
**UK**





TAV.1.1	BODY	
---------	------	--

ITEM	PART NUMBER	DESCRIPTION	QTY
1	YC1-2415576	Shell	1
2	0508252	Cable relief M18	1
3	0202067	Screw M10X85 - GB/T70.1	1
4	0204005	Self-locking nut M10	1
5	0511063	Grease brush	1
6	YC1-3000069	Spring	1
7	YC1-4299984	Grease cup	1
8	YC1-3002099	Plastic foot	4
9	YC1-3002102	Wheel support	1
10	0202033	Screw M6X20 - GB/T70.1	4
11	0205007	Washer D.6	9
12	YC1-3006970	Bead lifting lever	1
13	0203029	Nut M8 - GB/T6170	2
14	0205008	Washer D.8 - GB/T97.1	2
15	YC1-3011970-1	Front panel	1
16	0201026	Screw M8X16 - GB/T5783	2
17	0202032	Screw M6X16 - GB/T70.1	5
18	YC1-3001800	Side cover	1
19	YC1-3618260	ABS cover	1



<b>TAV.2.2</b>	<b>HORIZ. AND VERT. ARMS</b>	
----------------	------------------------------	--

<b>ITEM</b>	<b>PART NUMBER</b>	<b>DESCRIPTION</b>	<b>QTY</b>
1	YC2-4399947	Washer	2
2	YC2-3000181	Washer	1
3	0204016	Nut M12 - GB/T6172.1	2
4	YC2-3015677	Special screw	2
5	YC3-3005408	Spring	2
6	0209022	Screw M10X30 - GB/77	2
7	YC2-3015676	Arm locking plate	1
8	YC2-2099665	Locking cylinder	2
9	GB1152	Greaser 10X1	1
10	202W-3017972	Plastic spacer	2
11	YC3-3015668	Pin	1
12	YC3-2416496	Washer rivet	1
13	0201064	Screw M10X25 - GB/T5783	2
14	YC3-3013001	Special screw	1
15	0201068	Screw M10X40 - GB/T5783	2
16	0204007	Nut M12 - GB/T889.1	5
17	0205013	Washer D.12 - GB/T97.1	1
18	202W-2417961-B	Post support	1
19	0201055	Screw M10X55 - GB/T5782	6
20	0205011	Washer D.10 - GB/T97.1	7
21	YC2-3012450	Protection	1
22	0205006	Washer D.6 - GB/T97.1	1
23	0201011	Screw M6X12 - GB/T5783	1
24	0306126	Rilsan hose 4X2 L=2050	2
25	0306035	90° quick union 4-1/8	2
26	0306034	90° union 8-1/8	1
27	0306097	Rilsan hose 8X5 L=1200	1

TAV.2.2	HORIZ. AND VERT. ARMS	
---------	-----------------------	--

28	YC2-3000599	Pin	1
29	YC2-3000495	Washer	1
30	0306095	Rilsan hose 6X4 L=1000	1
31	0306046	Quick union 6-1/8	1
32	YC1-3015023A	Flange	1
33	0606007	O-ring 75X3.55 - GB/T1235	2
34	YC1-4198856-2	Piston	1
35	YC2-3008084	Cylinder liner	1
36	YC2-3002624	Piston rod	1
37	GB/T3452.1-1992	O-ring 20X2.75 - GB/T3452.1	1
38	0606016	Scraper 20X30X7	1
39	YC1-3015024A	Flange	1
40	0211004	Washer D.30 - GB/T893.1	1
41	YC1-4398146	Washer	1
42	0306040	90° quick union 6-1/8	1
43	0306095	Rilsan hose 6X4 L=1200	1
44	0204025	Nut M8 - GB/T6177.1	4
45	YC2-3008085	Special screw	4
46	0202069	Screw M12X120 - GB/T70.1	1
47	0201059	Screw M10X16 - GB/T5783	1
48	YC1-4295805	Spherical washer	1
49	YC1-4295804	Conical washer	1
50	YC1-2002215	Mounting tool unit	1
51	YC1-3002602	Shock absorber protection	1
52	YC1-3002601	Shock absorber	1
53	YC3-3015566	Hexagonal arm	1
54	0201014	Screw M6X20 - GB/T5783	1

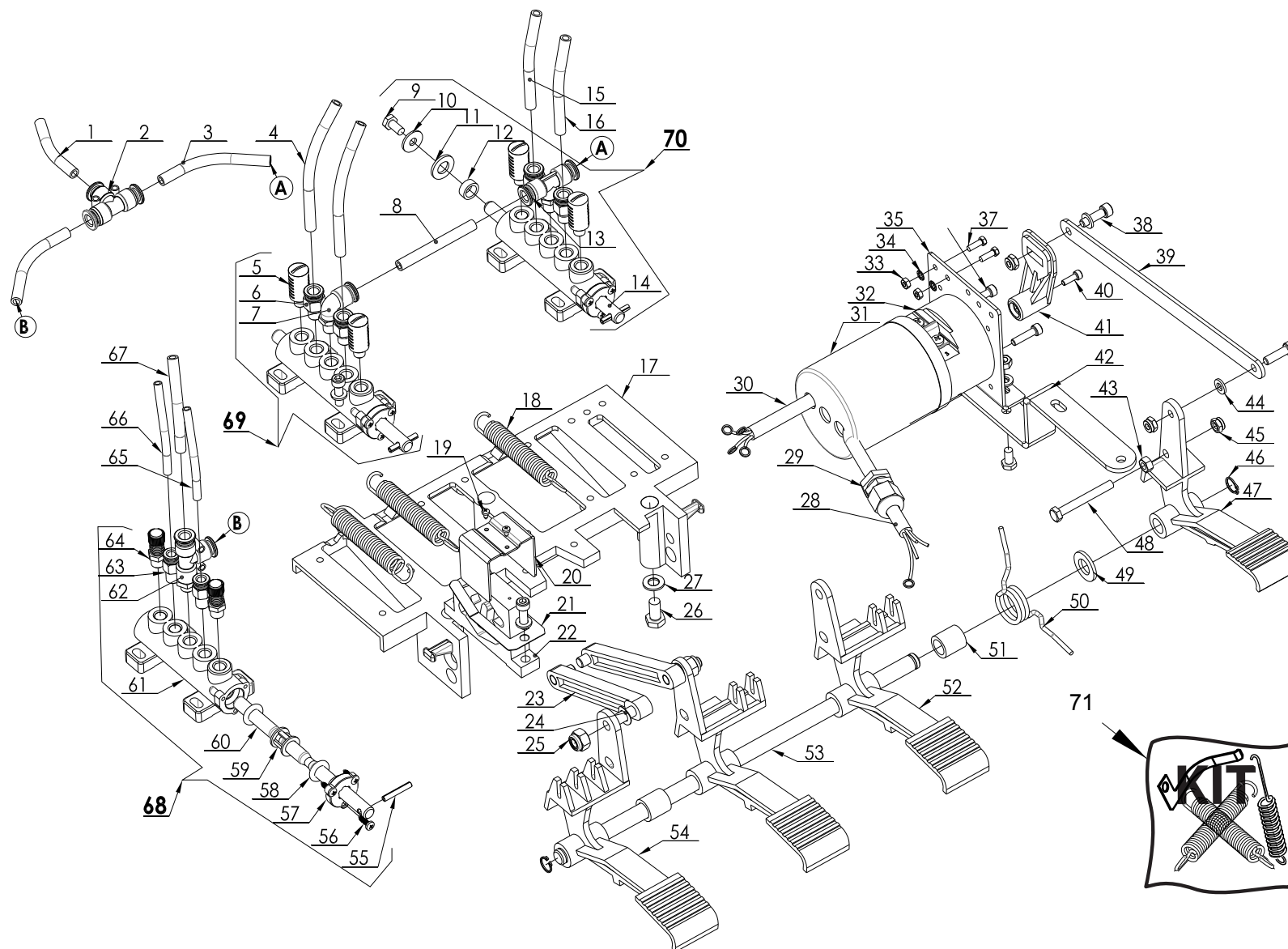
TAV.2.2	HORIZ. AND VERT. ARMS	
---------	-----------------------	--

55	0201037	Screw M8X40 - GB/T5782	1
56	0204004	Nut M8 - GB/T889.1	1
57	YC2-3012459	Special screw	1
58	0201003	Screw M4X35 - GB/T5781	1
59	YC2-3002273	Spring	2
60	YC2-3007935	Limit block	1
61	0205009	Washer D.8 - GB/T96	1
62	0201042	Screw M8X20 - GB/T5783	2
63	YC2-3013355	Bottom cap	1
64		Fabric insert	1
65	YC2-3012487	Valve body	1
66	YC2-3012721	Aluminum nut	2
67	0306111	Quick union D.4-M5	2
68	0209008	Screw M5X10 - GB/T78	1
69	YC2-3007645	Cap	1
70	YC2-3007644	Valve pin	1
71	YC2-3007647	Spacer	3
72	YC2-4400804	O-ring	4
73	YC2-3007646	Locking ring	1
74	0204001	Nut M4 - GB/T889.1	1
75	YC3-2415594A	Horizontal arm	1
76	0204012	Nut M10 - GB/T6172.1	8
77	YC2-3006106	Arm locking plate	1
78	0204005	Nut M10 - GB/T889.1	1
79	YC3-3005407	Spring	1
80	YC2-3015860	Arm frame	1
81	YC1-3001759	Arm knob	1



TAV.2.2	HORIZ. AND VERT. ARMS	
---------	-----------------------	--

82	0202049	Screw M8X30 - GB/T70.1	1
83	0306092	Rilsan hose 4X2 L=250	1
84	0306063	T rotation union 4-1/8	1
85	YC2-4299523	Piston	1
86	0202027	Screw M6X35 - GB/T70.1	2
87	YC2-4299522	Sealing ring	1
88	YC2-4299524	Cylinder liner	1
89	YC2-3002602	Guide	1
90	0306092	Rilsan hose 4X2 L=850	2
91	YC1-3012978	Inflator hook	1
92	0203006	Nut M6 - GB6170	1
93	202W-2417966-A	Vertical post	1
94	YC2-2008335	Arm control valve	1
95	YC2-2002831	Tilting cylinder	1
96	YC1-3007801	Mounting tool	1
97	0209020	Screw M12X12 - GB/T80	2
98	YC1-3009018	Special screw	1
99	YC1-3000215	Peak roll	1
100	YC1-3006689	Plastic insert	1
101	YC1-3013650	Plastic insert	1
102	0209015	Screw M12X16 - GB/T80	2



TAV.3.2	PEDAL BOX	
---------	-----------	--

ITEM	PART NUMBER	DESCRIPTION	QTY
1	0306097	Rilsan hose 8X5 L=1000	1
2	0306022	Quick T union D.8	1
3	0306097	Rilsan hose 8X5 L=270	2
4	0306097	Rilsan hose 8X5 L=850	2
5	0306059	Silencer 1/8	4
6	0306045	Quick union 8-1/8	4
7	0306033	90° quick union 8-R1/8	1
8	0306097	Rilsan hose 8X5 L=70	1
9	0201011	Screw M6X12 - GB/T5783	3
10	0205007	Washer D.6 - GB/T96	1
11	0205011	Washer D.10 - GB/T97.1	1
12	YC1-4197629	Nylon washer	1
13	0306023	Quick T union 8-1/8	1
14	YC1-3007598	Valve pin 3	1
15	0306097	Rilsan hose 8X5 L=700	1
16	0306097	Rilsan hose 8X5 L=800	1
17	YC1-3002161	Pedal box base	1
18	YC1-3013333	Pedal return spring	3
19	0207034	Self-tapping screw ST2.9X6.5 - GB/T845	2
20	YC1-3099910	Connection rod guide	1
21	YC2-4299910	Forked leaf spring	1
22	YC1-4299913	Double cam	1
23	YC1-4299912	Connection rod	2
24	0215019	Washer D.8 - GB/T860	2
25	0204004	Nut M8 - GB/T889.1	2
26	0201026	Screw M8X16 - GB/T5783	3
27	0205008	Washer D.8 - GB/T97.1	3

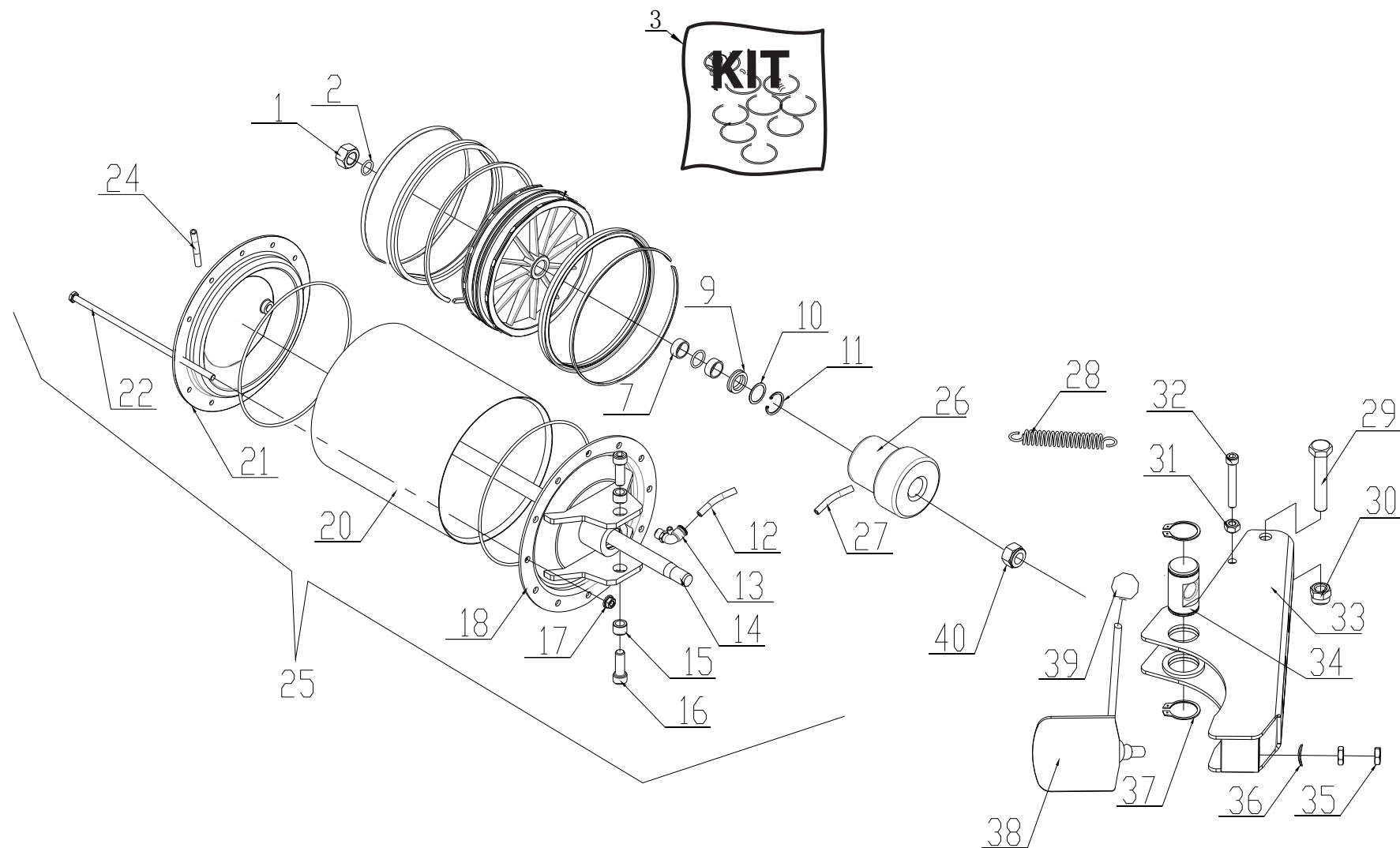
TAV.3.2	PEDAL BOX	
---------	-----------	--

28	0506016	Power cable L=3500	1
29	0507115	Cable relief	1
30	0506016	Motor cable L=1500	1
31	YC1-3015344	Reverser cover	1
32	0505009	Reverser 40A	1
33	0203002	Nut M4 - GB52	2
34	0211016	Washer D.4 - GB/T862.2	2
35	YC1-3015340	Reverser support	1
36	0202021	Screw M5X20 - GB/T70.1	2
37	0201004	Screw M4X12 - GB/T5781	2
38	0202033	Screw M6X20 - GB/T70.1	12
39	YC1-3015341	Connection rod	1
40	0202004	Screw M4X12 - GB/T70.1	1
41	YC1-3000175	Reverser lever	1
42	YC1-3015342	Support	1
43	0203004	Nut M6 - GB52	3
44	0205006	Washer D.6 - GB/T97.1	14
45	0204003	Nut M6 - GB/T889.1	3
46	0212001	Seeger D.12 - GB/T894.1	2
47	YC1-3002157	Pedal A	1
48	0201016	Screw M6X50 - GB/T5782	1
49	0205013	Washer D.12 - GB/T97.1	1
50	YC1-3000142	Pedal control spring	1
51	YC1-3007953	Bush	2
52	YC1-3002159	Pedal B	2
53	YC2-3003095	Pedal alignment pin	1
54	YC2-3002160	Pedal C	1

## TAV.3.2

## PEDAL BOX

55	0213003	Elastic pin 4X25 - GB/T879.1	3
56	0207032	Self-tapping screw ST3.5X13 - GB/T845	9
57	YC1-3001585	Valve flange	3
58	YC1-4299000	O-ring 17X4	18
59	YC1-3001584	Valve spacer	15
60	YC1-3002442	Valve pin 1	2
61	YC1-3001583	Valve body	3
62	0306021	Quick T union 8-1/8	1
63	0306046	Quick union 6-1/8	2
64	0306013	Silencer outlet adjuster 1/8	2
65	0306095	Rilsan hose 6X4 L=1200	1
66	0306095	Rilsan hose 6X4 L=1000	1
67	0306097	Rilsan hose 8X5 L=1200	1
68	YC2-2002531	Tilting control valve unit	1
69	YC1-2002529	Turntable valve unit	1
70	YC1-2006297	Bead breaking valve unit	1
71	20201141	Springs kit assembly	1



TAV.4.2

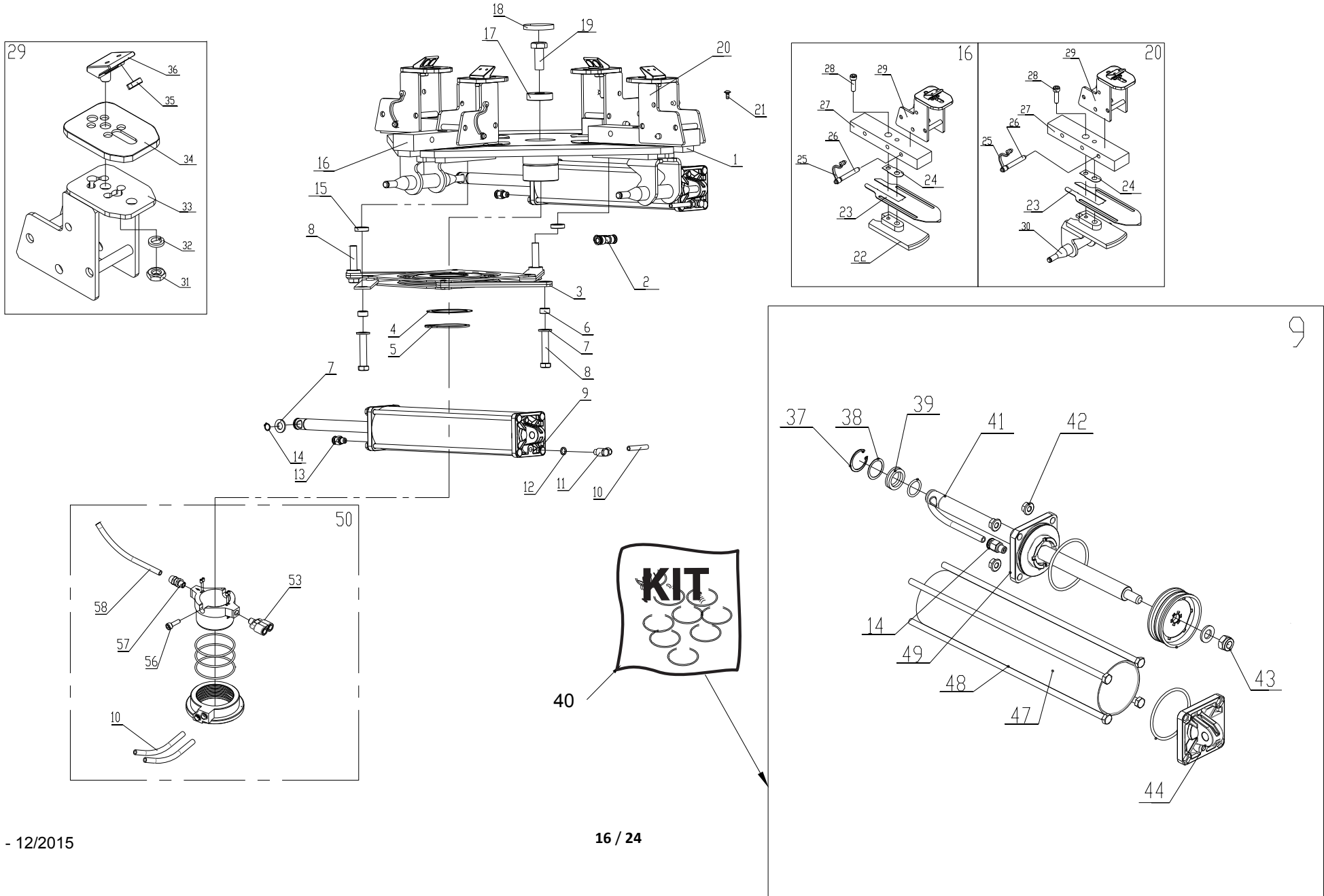
## BEAD BREAKER

ITEM	PART NUMBER	DESCRIPTION	QTY
1	0203022	Nut M18X1.5 - GB/T6171	1
2	0309084	O-ring 16X2.65	1
3	20201069	Cylinder sealing parts ass.	1
6	C207010002	Piston	1
7	0305041	Guiding ring 67X9.5X2	2
9	0606016	Scraper 20X30X7	1
10	YC1-4398146	Washer	1
11	0211004	Seeger D.30 - GB/T893.1	1
12	0306097	Rilsan hose 8X5 L=700 90°	1
13	0306032	quick union 8-1/4	1
14	YC1-3015834-B	Piston rod	1
15	YC1-3015573	Bush	2
16	0202071	Screw M12X35 - GB/T70.1	2
17	0204025	Flange nut M8 - GB/	12
18	C207010100	T6177.1 Front flange	1
20	C00AQ10001	Cylinder liner	1
21	C207010007	Back flange	1
22	C00AQ10002	Screw M8X248	12
23	C02AQ00100	Quick relief valve unit	1
24	0306097	Rilsan hose 8X5 L=800	1
25	C00AQ10000	Bead breaker cylinder	1
26	106B-3006001	Shock absorber	1
27	106B-3006002	Absorber protection	1

TAV.4.2	BEAD BREAKER	
---------	--------------	--

28	YC1-3000114A	Arm spring	1
29	0201099	Screw M16X90 - GB/T5782	1
30	0204008	Self-locking nut M16	1
31	0204005	Self-locking nut M10	1
32	0202057	Screw M10X70 - GB/T70.1	1
33	YC1-2415574	Bead breaker arm	1
34	YC1-3008990	Pivot pin	1
35	0204013	Nut M14 - GB/T6172.1	2
36	0208013	Elastic washer D.14	1
37	0212008	Seeger D.40	2
38	102-2413331	Bead breaker plate	1
39	YC1-4299952	Knob	1
40	0204009	Self-locking nut M18	1



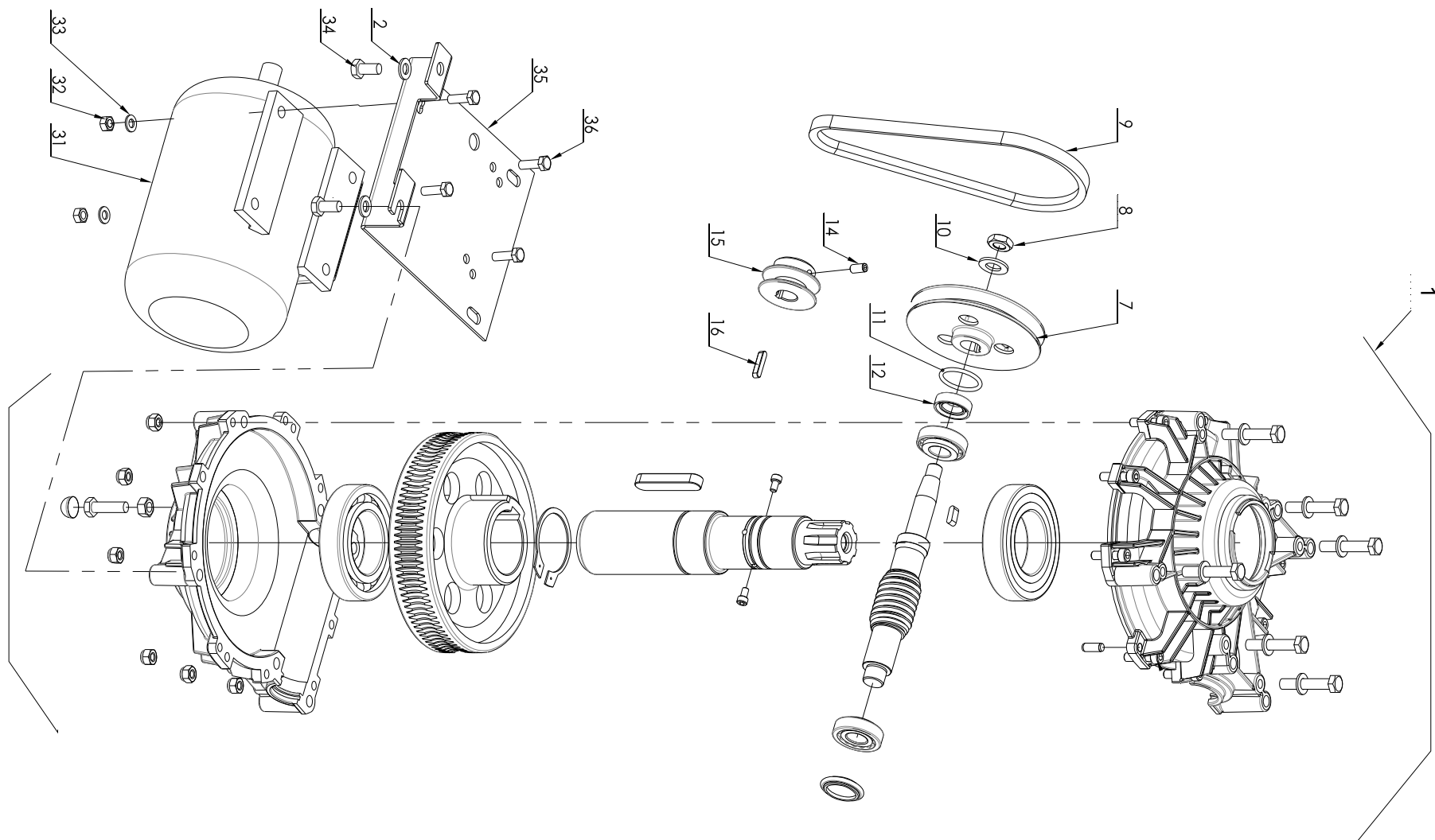


<b>TAV.5.1</b>	<b>SELF-CENTERING TURNTABLE</b>	
----------------	---------------------------------	--

ITEM	PART NUMBER	DESCRIPTION	QTY	REMARK
1	202W-2460100	Turntable	1	
2	0306022	Tee quick union 8	1	
3	YC1-2016001	Turntable flange unit	1	
4	YC1-3006869-A	Connection rod spacer	1	
5	0212011	Seeger D.65	1	
6	YC1-3006880	Connection rod spacer	4	
7	0205013	Washer D.12 - GB/T97.1	10	
8	0201081	Screw M12X60 - GB/T5782	4	
9	YC1-2008060	Turntable cylinder unit	2	
10	0306097	Rilsan hose 8X5 L=850	2	
11	0306016	90° rotation union 8-1/8	2	
12	0306016-1	Nylon washer	2	
13	0306045	Quick union 8-1/8	2	
14	0212001	Seeger D.12	4	
15	YC1-3006879	Spacer	4	
16	C22B520000	Slide assembly 1	2	
17	YC1-3009778	Washer	1	
18	YC1-3000062	Turntable cap	1	
19	0201100	Screw M16X1.5X40	1	
20	C22B530000	Slide assembly 2	2	
21	YC1-3015187	Rivet	8	
22	102-2415755	Slide guide	2	
23	YC1-3015169	Turntable plate	4	
24	102-3080001	Steel shim	4	
25	YCF1-3010309	Rubber belt	4	
26	102-3006257	Pin	4	
27	C22B520001	Support	4	

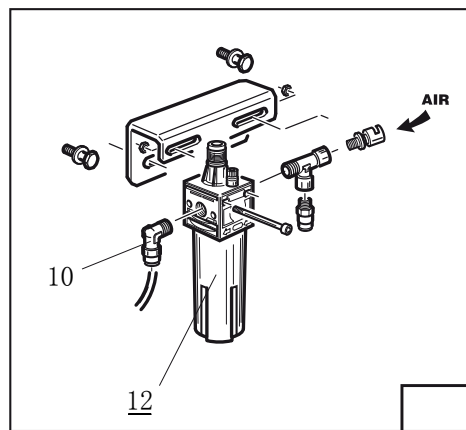
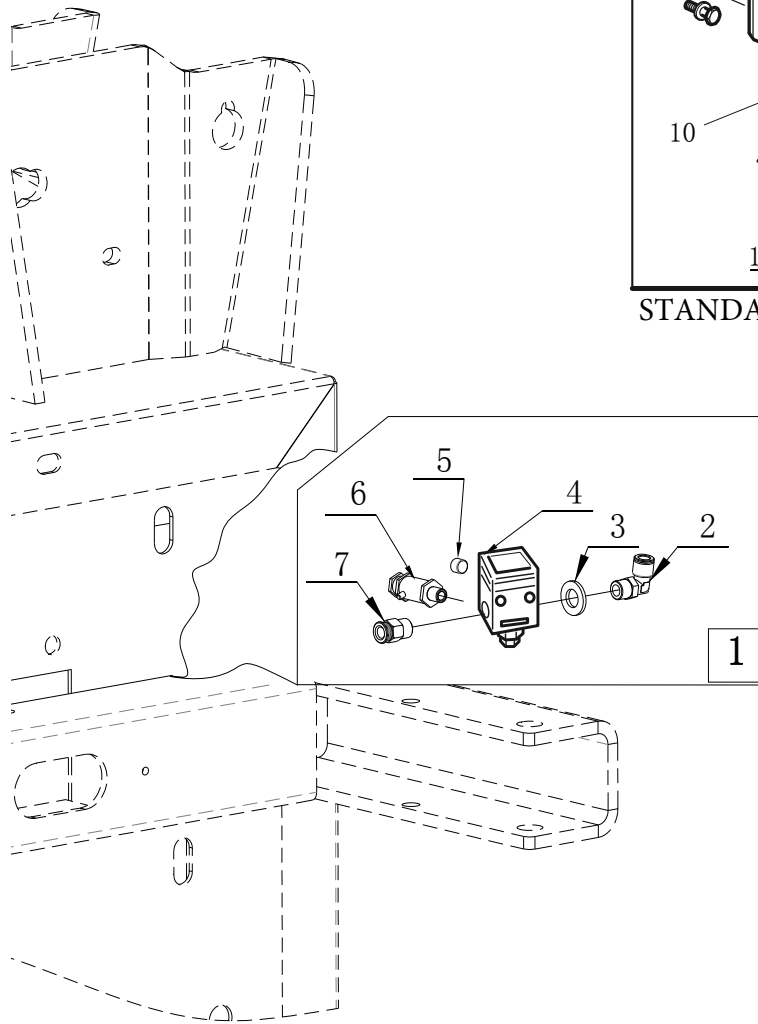
TAV.5.1	SELF-CENTERING TURNTABLE	
---------	--------------------------	--

28	0202063	Screw M10X35	4
29	C22B510000	Clamp assembly	4
30	102-2415756	Slide guide	2
31	0204012	Nut M10 - GB/T6172.1	4
32	0208007	Locking washer D.10	4
33	C22B510100	Clamp support	4
34	YCF1-3005070	Protection	4
35	C22B510002	Protection	8
36	C22B510001	Clamp	4
37	0211004	Seeger D.30	2
38	YC1-4398146	Washer	2
39	0606016	Scraper 20X30X7	2
40	20201075	Cylinder sealing parts ass.	1
41	YC1-3002901	Piston rod	2
42	0204025	Flange nut M8	8
43	0204007	Self-locking nut M12	2
44	YC1-3015023A	Front flange	2
47	YC1-3008042	Cylinder liner	2
48	0201034	Stud M8X371	8
49	YC1-3015024A	Back flange	2
50	YC1-2003000	Rotation union assembly	1
53	0306001	Y quick union 8-1/8	1
56	0202030	Screw M6X10 - GB/T70.1	2
57	0306069	Rotation union 8-1/8	1
58	0306157	Rilsan spiral hose 8X5 L=625	1

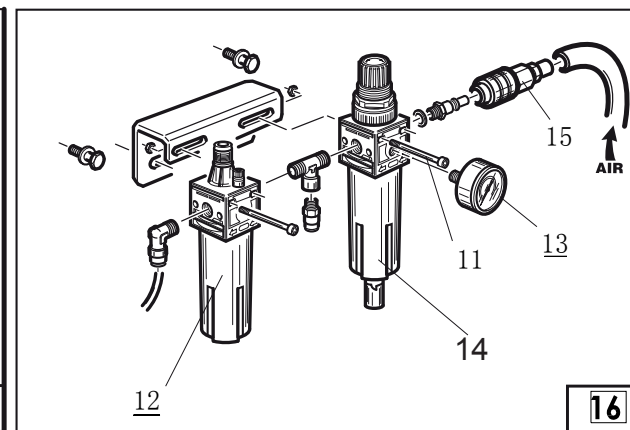


<b>TAV.6.0</b>	<b>MOTOR – REDUCTION GEAR GROUP</b>	
----------------	-------------------------------------	--

<b>ITEM</b>	<b>PART NUMBER</b>	<b>DESCRIPTION</b>	<b>QTY</b>
1	YC1-2011967	Reduction gear unit	1
2	YC1-3199596	Gear box pulley	1
3	0204013	Nut M14 - GB/T6172.1	1
4	0511052	V belt A580	1
5	0205017	Washer D.14 - GB/T97.1	1
6	0606005	O-ring 34.5X3.55 - GB/T3452.1	1
7	YC1-4296942	Seal	1
8	0209009	Screw M8X16 - GB/T80	1
9	YC1-3000166	Motor pulley	1
10	202W-ZYDJPJ	Tab 6X30 - GB/T1096	1
11a	0509065	1PH motor 230V 0.75KW	1
11b	0509053	3PH motor 230V/400V 0.55KW	1
12	0203029	Nut M8 - GB/T6170	4
13	0205008	Washer D.8 - GB/T97.1	4
14	0201062	Screw M10X20 - GB/T5783	2
15	YC1-3000149A	Motor support	1
66	0201038	Screw M8X25 - GB/T5783	4



STANDARD



ON REQUEST

TAV.8.1	<b>INFLATOR + LUBRICATION GROUP</b>	
---------	-------------------------------------	--

ITEM	PART NUMBER	DESCRIPTION	QTY	REMARK
1	YC2-2010781-1	Safety valve unit 3.5bar	1	
2	0306037	90° quick union 8-1/4	1	
3	0205013	Washer D.12 - GB/T97.1	1	
4	0307039	Pressure regulator 3.5bar	1	
5	0305014	Plug 1/8	1	
6	0306106	Pressure relief valve 1/8 5.5bar	1	
7	0306144	Quick union 8-1/4	1	
10	0306032	90° quick union 8-1/4	1	
11	0202012	Screw M4X50 - GB/T70.1	2	
12	0307065	Lubricator NL-200	1	
13	0306052	Pressure gauge	1	
14	0307065	Filter regulator NFR-200	1	
15	0306007	T union 8-1/4	1	
16	YC2-2012326-1	Lubricator + filter regulator	1	







CORMACH S.r.l.  
via A. Pignedoli, 2  
42015 CORREGGIO (RE) ITALY  
Tel. +39 0522 631274 - Fax +39 0522 631284  
e-mail: [cormach@cormachsrl.com](mailto:cormach@cormachsrl.com)  
[www.cormachsrl.com](http://www.cormachsrl.com)

