



TYRE CHANGER

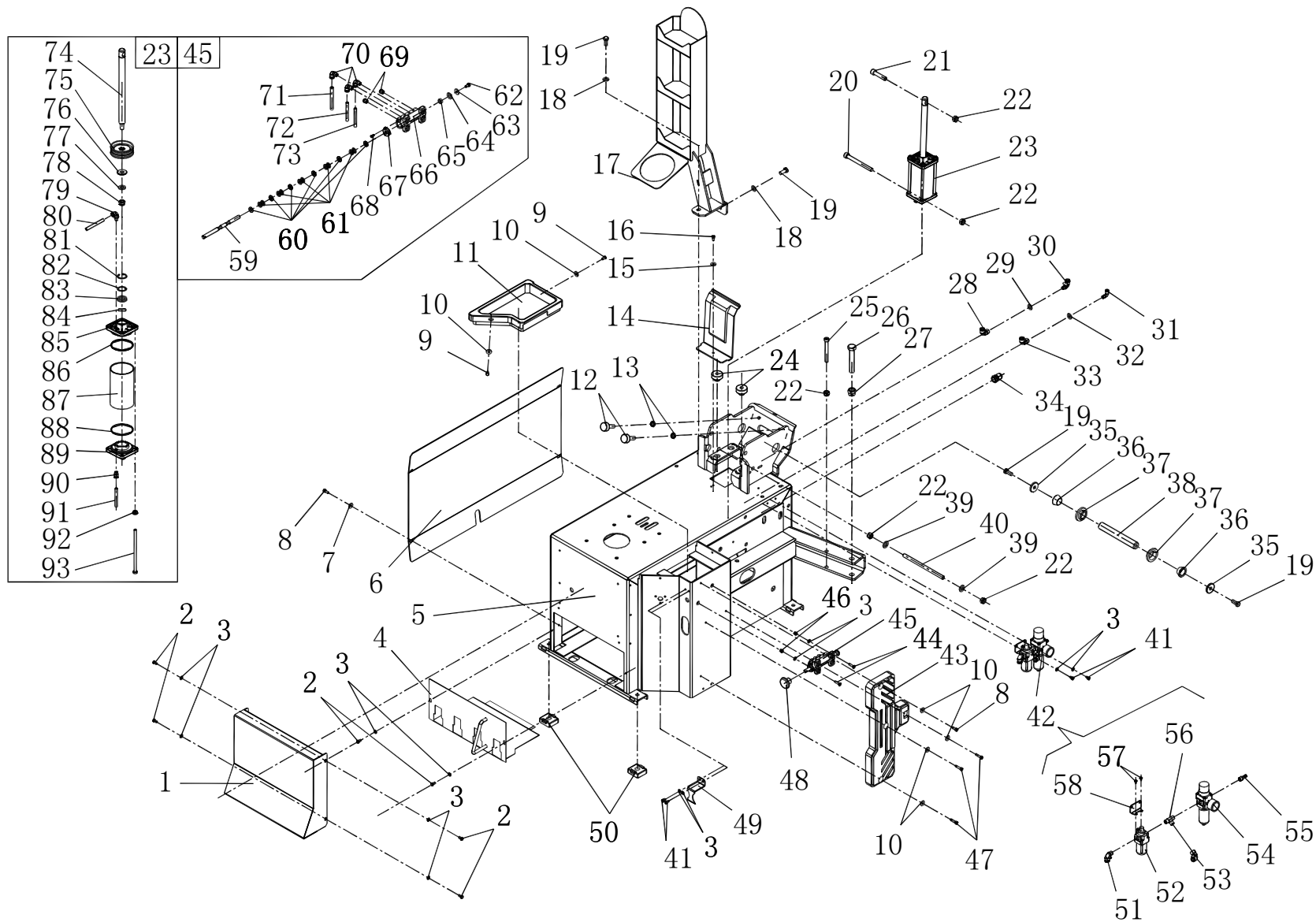
F 536S GT RACING MI

Rel. 2 07/20



SPARE PARTS LIST

UK



TAV.1	BODY	ED. 09/2018
-------	------	-------------

ITEM	PART NO.	DESCRIPTION	QTY	REMARK
1	20200884	Front panel	1	
2	0201011	Screw M6X12 - GB/T5783	6	
3	0205006	Washer D.6 - GB/T97.1	12	
4	YC2-2412454	Pedal support	1	
5	C29A100100	Shell	1	
6	C11A100001	Side cover	1	
7	0205007	Washer D.6 - GB/T96	4	
8	0202032	Screw M6X16 - GB/T70.1	5	
9	0201011	Screw M6X12 - GB/T5783	2	
10	0205007	Washer D.6 - GB/T96	6	
11	YC2-3011972	Plastic cover	1	
12	C22A030001	Pad	2	
13	0204016	Nut M12 - GB/T6172.1	2	
14	YC2-3012450	Protection	1	
15	0205007	Washer D.6 -GB/T96	1	
16	0202024	Screw M6X12 - GB/T70.1	1	
17	C29A400100	Tool box	1	ACCESSORY
18	0205011	Washer D.10 - GB/T97.1	2	
19	0201064	Screw M10X25 - GB/T5783	4	
20	0202069	Screw M12X120 - GB/T70.1	1	
21	YC2-3000599	Pin	1	
22	0204007	Nut M12 - GB/T889.1	5	
23	YC2-2002831	Tilting cylinder	1	
24	C33A200001	Pad	2	
25	0202065	Screw M10X90 - GB/T70.1	1	
26	0201101	Screw M16X100 - GB/T5782	1	
27	0204008	Self-locking nut M16 - GB/T889.1	1	

TAV.1	BODY	ED. 09/2018
-------	------	-------------

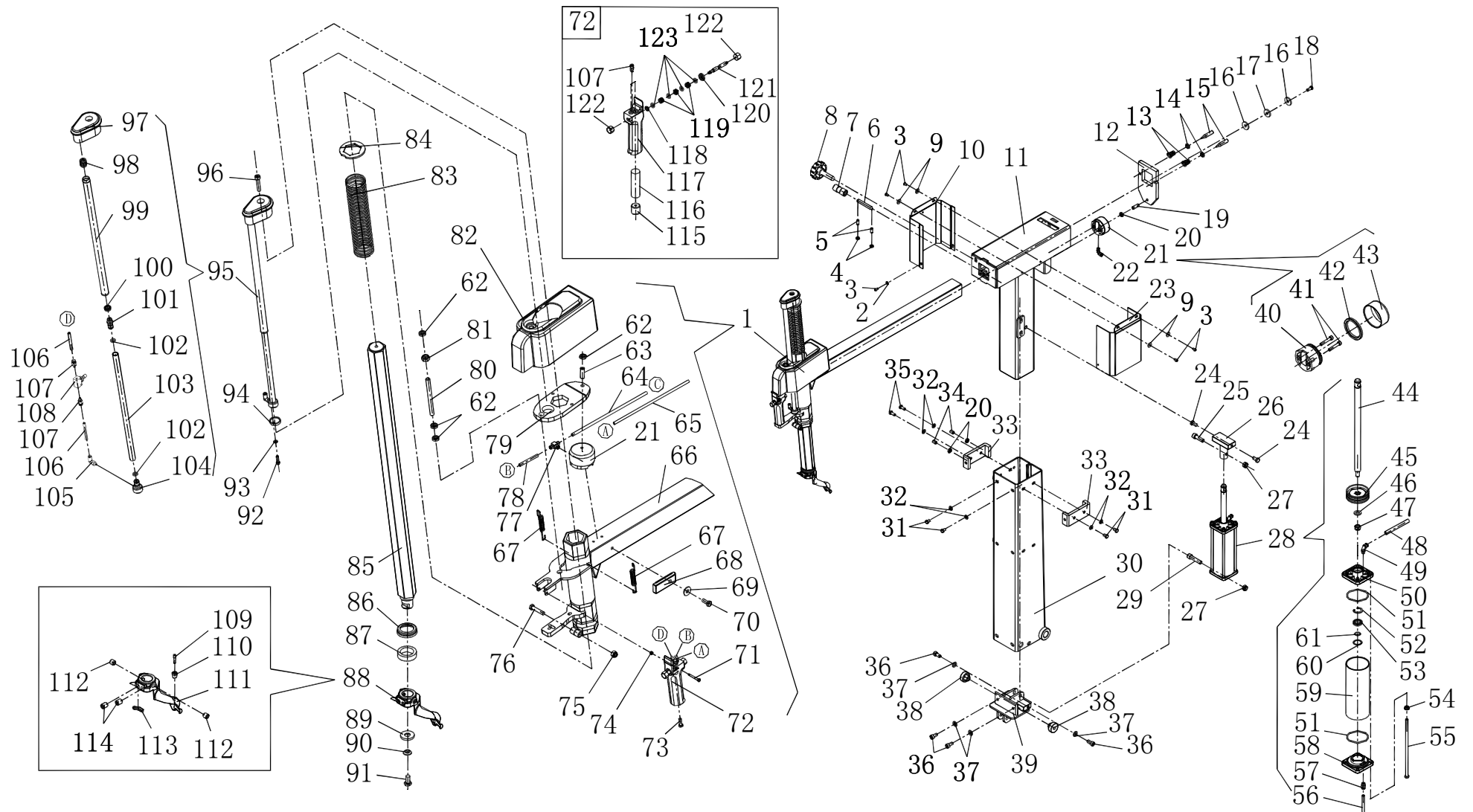
28	0306034	90° union 8-1/8	1
29	0205011	Washer D.10 - GB/T97.1	1
30	0306033	90° quick union8-R1/8	1
31	PL04-01	Quick union 4-1/8	1
32	0205011	Washer D.10 - GB/T97.1	1
33	0306034	Quick union8-G1/8	1
34	0508011	Cable holder M18	1
35	YC2-3000495	Washer	2
36	C33A000006	Conical bush	2
37	C33A000005	Pin washer	2
38	C33A000007	Pin	1
39	0205013	Washer D.12 - GB/T97.1	2
40	YC3-3013001	Special screw	1
41	0202037	Screw M6X8 - GB/T70.1	4
42	20100345	Lubricator + filter regulator	1
43	YC1-3002102	Wheel support	1
44	0207051	Screw M6X25 - GB/T819.1	2
45	C29A101000	Lift valve assembly	1
46	0204004	Nut M8 - GB/T889.1	2
47	0202034	Screw M6X25 - GB/T70.1	3
48	C29A100003	Handle	1
49	C29A100001	Cover	1
50	YC1-3002099	Plastic foot	4
51	0306032	90° quick union 8-1/4	1
52	0306284	Lubricator AL20-F02-CR-A	1
53	0306039	Quick union 8-1/4	1
54	0306278	Filter regulator AW20-F02C-2R-A	1

TAV.1	BODY	ED. 09/2018
-------	------	-------------

55	0306008	Union 8-1/4	1
56	0306077	T union G1/4	1
57	0206059	Screw M4X8 - GB/T9074.4	2
58	C00AQ51001	Support	1
59	C29A101001	Valve pin	1
60	YC1-4299000	O-ring	6
61	YC1-3001584	Valve spacer	5
62	0201011	Screw M6X12 - GB/T5783	1
63	0205007	Washer D.6 - GB/T96	1
64	0205011	Washer D.10 - GB/T97.1	1
65	YC1-4197629	Nylon washer	1
66	YC1-3001583	Valve body	1
67	YC1-3001585	Flange	1
68	0207032	Self-tapping screw 3.5X13 - GB/T845	3
69	0306087	Silencer G1/8	2
70	0306036	90° quick union 6-1/8	3
71	0306097	Rilsan hose 8X5 L=200	1
72	0306095	Rilsan hose 6X4 L=1800	1
73	0306095	Rilsan hose 6X4 L=2000	1
74	YC2-3002624	Piston rod	1
75	YC1-4198856	Piston	1
76	YC1-4198857	Washer	1
77	0205013	Washer D.12 - GB/T97.1	1
78	0204007	Self-locking nut M12 - GB/T889.1	1
79	0306036	90° quick union 6-1/8	1
80	0306095	Rilsan hose 6X4 L=1200	1
81	0211004	Seeger D.30	1

TAV.1	BODY	ED. 09/2018
-------	------	-------------

82	YC1-4398146	Washer	1
83	0606016	Scraper 20X30X7	1
84	0606004	O-ring 20X2.75	1
85	YC1-3015024	Back flange	1
86	YC2-3008084	Cylinder liner	1
87	0606007	O-ring 75X3.1	2
88	YC1-3015023A	Flange	1
89	0306046	Quick union 6-1/8	1
90	0306095	Rilsan hose 6X4 L=1000	1
91	0204025	Flange nut M8 - GB/T6177.1	4
92	0201027	Screw M8X162	4



TAV.2	HORIZ. AND VERT. ARMS	ED. 09/2018
-------	-----------------------	-------------

ITEM	PART NO.	DESCRIPTION	QTY	REMARK
1	C29A204000	Working arm assembly	1	
2	0205006	Washer D.6 - GB/T97.1	2	
3	0206050	Screw M6X10 - GB/T70.2	6	
4	0204031	Nut M8 - GB/T6172.1	2	
5	0209019	Screw M8X20 - GB/T77	2	
6	C33A200005	Pin 12X80	1	
7	C33A200009	Roller	1	
8	YC2-2004020	Hand wheel	1	
9	0205007	Washer D.6 - GB/T96	4	
10	C29A200003	Cover	1	
11	C29A202000	Post extension	1	
12	C33A200002	Arm locking plate	1	
13	YC2-3016043	Spring	2	
14	0204016	Nut M12 - GB/T6172.1	2	
15	YC2-3015677	Special screw	2	
16	YC2-4399947	Washer	2	
17	YC2-3000181	Washer	1	
18	0201042	Screw M8X20 - GB/T5783	1	
19	0209022	Screw M10X30 - GB/77	1	
20	0204012	Nut M10 - GB/T6172.1	5	
21	YC2-2099665	Locking cylinder	2	
22	0306035	90° quick union 4-1/8	1	
23	C29A200002	Cover	1	
24	0201062	Screw M10X20 - GB/T5783	2	
25	0202076	Screw M12X40 - GB/T70.1	1	
26	C29A201300	Connecting base	1	
27	0204007	Nut M12 - GB/T889.1	1	

TAV.2	HORIZ. AND VERT. ARMS	ED. 09/2018
-------	-----------------------	-------------

28	C29A203000	Lifting cylinder assembly	2
29	YC2-3000599	Pin	1
30	C29A201100	Vertical post	1
31	0201023	Screw M8X12 - GB/T5783	8
32	0205008	Washer D.8 - GB/T97.1	12
33	C29A200001	Slider	4
34	0209023	Screw M10X16 - GB/77	4
35	0201042	Screw M8X20 - GB/T5783	4
36	0202060	Screw M10X20 - GB/T70.1	4
37	0205011	Washer D.10 - GB/T97.1	4
38	C33A200001	Pad	2
39	C29A201200	Flange	1
40	YC2-4299523	Piston	2
41	0202027	Screw M6X35 - GB/T70.1	4
42	YC2-4299522	Sealing ring	2
43	YC2-4299524	Cylinder liner	2
44	YC1-3002901	Piston rod	1
45	YC1-4198856	Piston	1
46	0205013	Washer D.12 - GB/T97.1	1
47	0204007	Nut M12 - GB/T889.1	1
48	0306095	Rilsan hose 6X4 L=2000	1
49	0306036	Quick union 6-1/8	1
50	YC1-3015024	Cylinder base	1
51	0606007	O-ring 75X3.55 - GB/T3452.1	2
52	0211004	Seeger D.30	1
53	0606016	Scraper 20X30X7	1
54	0204025	Flange nut M8 - GB/T6177.1	4

TAV.2	HORIZ. AND VERT. ARMS	ED. 09/2018
-------	-----------------------	-------------

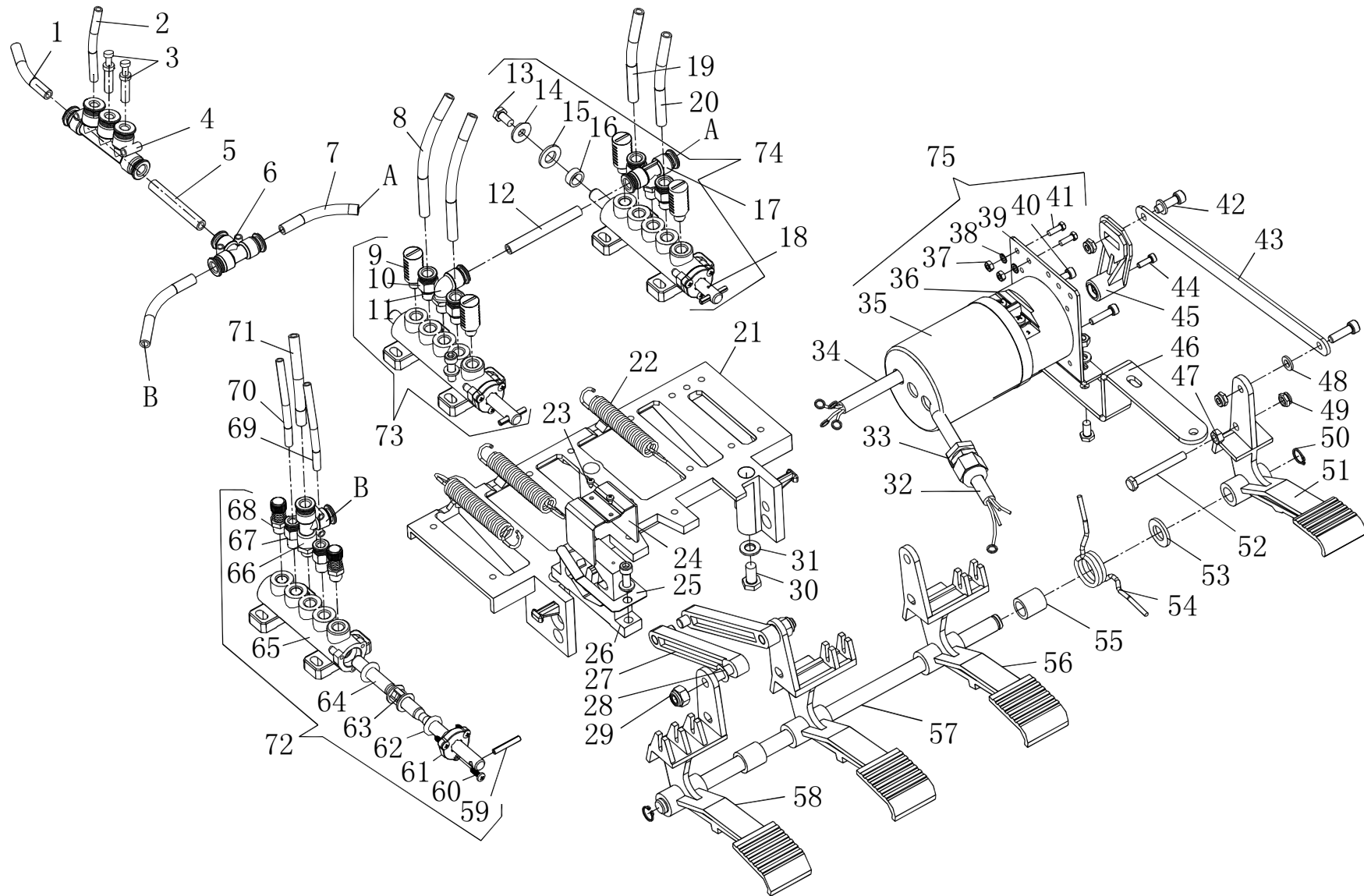
55	0201041	Screw M8X235	4
56	0306095	Rilsan hose 6X4 L=1800	1
57	0306046	Quick union 6-1/8	1
58	YC1-3015023	Flange	1
59	YCW-3008330	Cylinder liner	1
60	YC1-4398146	Washer	1
61	0606004	O-ring 20X2.75	1
62	0204012	Nut M10 - GB/T6172.1	4
63	0209022	Screw M10X30 - GB/77	1
64	0306092	Rilsan hose 4X2 L=1300	1
65	0306126	Rilsan hose 4X2 L=2350	1
66	C33A202100	Horizontal arm	1
67	YC2-3002273	Spring	2
68	YC2-3007935	Limit block	1
69	0205009	Washer D.8 - GB/T96	1
70	0201042	Screw M8X20 - GB/T5783	1
71	0201003	Screw M4X35 - GB/T5781	1
72	YC2-2008335	Arm control valve	1
73	0201014	Screw M6X20 - GB/T5783	1
74	0204001	Locking nut M4 - GB/T889.1	1
75	0204004	Nut M8 - GB/T889.1	1
76	0201037	Screw M8X40 - GB/T5782	1
77	0306063	T rotation union 4-1/8	1
78	0306092	Rilsan hose 4X2 L=300	1
79	C33A200010	Arm locking plate	1
80	YC2-3012459	Special screw	1
81	0204005	Nut M10 - GB/T889.1	1

TAV.2	HORIZ. AND VERT. ARMS	ED. 09/2018
-------	-----------------------	-------------

82	YC2-3015860	Arm frame	1
83	C203000003	Spring	1
84	C33A200006	Seeger	1
85	C33A202001	Hexagonal arm	1
86	C203000006	Spacer	1
87	C203000005	Spacer	1
88	YC1-2002215	Mounting tool unit	1
89	YC1-4295804	Conical washer	1
90	YC1-4295805	Spherical washer	1
91	0201062	Screw M10X20 - GB/T5783	1
92	0202021	Screw M5X20 - GB/T70.1	1
93	0205004	Washer D.5 - GB/T97.1	1
94	YC2-4397032	Rubber absorber	1
95	C00AQ33000	Lifting cylinder assembly	1
96	0202042	Screw M8X40 - GB/T70.1	1
97	YC2-3007790	Cylinder base	1
98	YC2-3002629	Spring	1
99	C00AQ33101	Cylinder liner	1
100	YC2-4298812	Seal	1
101	YC2-3014650	Top plug	1
102	0309075	O-ring 7.5X2.65 - GB/T3452.1	2
103	C00AQ33201	Inner Pipe	1
104	YC2-3014649	Bottom plug	1
105	0306166	90° quick union4-M5	1
106	0306092	Rilsan hose 4X2 L=220	2
107	0306151	Quick union 4-M5	5
108	0307053	Flow regulator RFU-452-M5	1

TAV.2	HORIZ. AND VERT. ARMS	ED. 09/2018
-------	-----------------------	-------------

109	0215031	Shaft	1
110	0215032	Peak roller	1
111	YC1-3007801	Mounting tool	1
112	0209020	Screw M12X12	2
113	YC1-3013650	Plastic insert	1
114	0209015	Screw M12X16	2
115	YC2-3013355	Bottom cap	1
116		Fabric insert	1
117	YC2-3012487	Valve body	1
118	YC2-3007646	Locking ring	1
119	YC2-3007647	Spacer	3
120	YC2-3007645	Cap	1
121	YC2-3007644	Valve pin	1
122	YC2-3012721	Aluminum nut	2
123	YC2-4400804	O-ring 13.2X2.62	4



TAV.3	PEDAL BOX	ED. 09/2018
-------	-----------	-------------

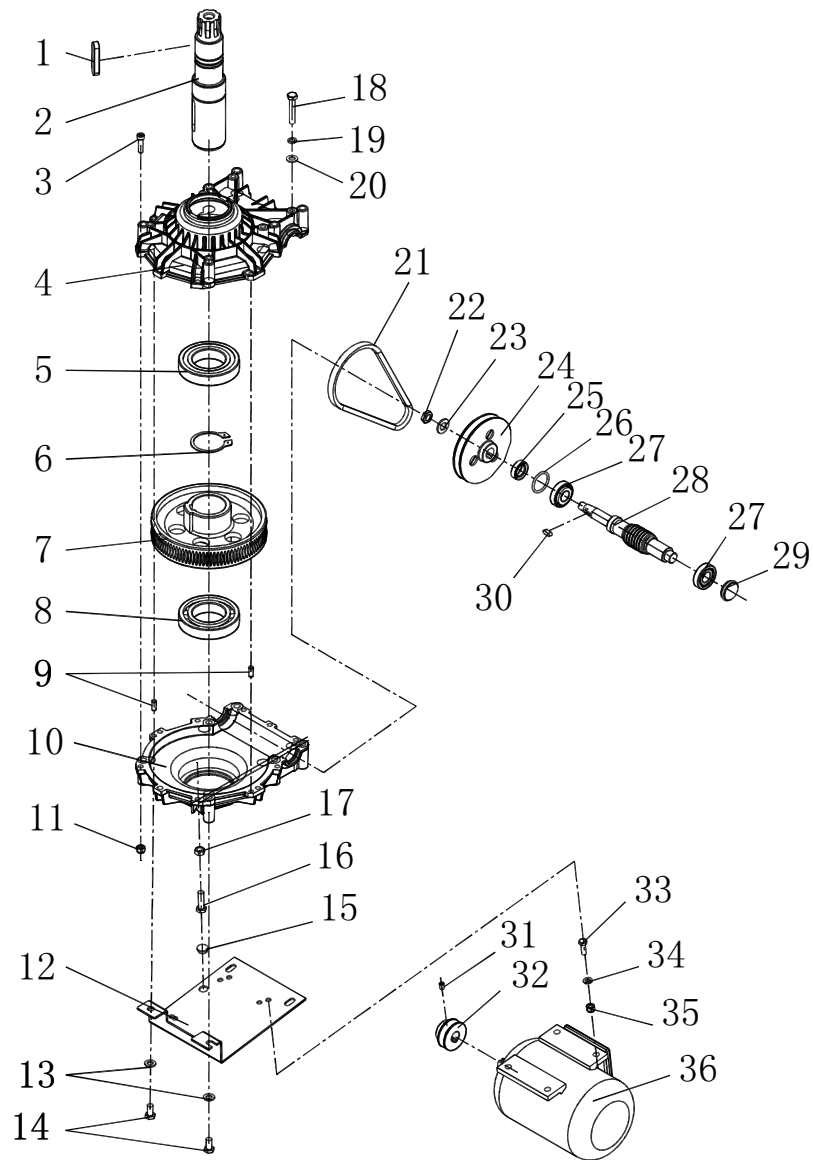
ITEM	PART NO.	DESCRIPTION	QTY	REMARK
1	0306097	Rilsan hose 8X5 L=1000	1	
2	0306097	Rilsan hose 8X5 L=200	1	
3	0306014	Plug Φ 6	2	
4	0306028	Reducer union five-way 8-6	1	
5	0306095	Rilsan hose 6X4 L=1500	1	
6	0306022	Quick Tee union D.8	1	
7	0306097	Rilsan hose 8X5 L=270	2	
8	0306097	Rilsan hose 8X5 L=850	2	
9	0306059	Silencer 1/8	4	
10	0306045	Quick union 8-1/8	4	
11	0306033	90° quick union 8-R1/8	1	
12	0306097	Rilsan hose 8X5 L=70	1	
13	0201011	ScrewM6X12	3	
14	0205007	Washer D.6 - GB/T96	1	
15	0205011	Washer D.10 - GB/T97.1	1	
16	YC1-4197629	Nylon washer	1	
17	0306023	Quick T union 8-1/8	1	
18	YC1-3007598	Valve pin 3	1	
19	0306097	Rilsan hose 8X5 L=700	1	
20	0306097	Rilsan hose 8X5 L=800	1	
21	YC1-3002161	Pedal box base	1	
22	YC1-3013333	Pedal return spring	3	
23	0207034	Self-tapping screw ST2.9X6.5	2	
24	YC1-3099910	Connection rod guide	1	
25	YC2-4299910	Forked leaf spring	1	
26	YC1-4299913	Double cam	1	
27	YC1-4299912	Connection rod	2	

TAV.3	PEDAL BOX	ED. 09/2018
-------	-----------	-------------

28	0215019	Washer D.8 - GB/T860	2
29	0204004	Nut M8 - GB/T889.1	2
30	0201026	Screw M8X16 - GB/T5783	3
31	0205008	Washer D.8 - GB/T97.1	3
32	0506016	Power cable L=3500	1
33	0507115	Cable relief	1
34	0506016	Motor cable L=1500	1
35	YC1-3015344	Reverser cover	1
36	0505009	Reverser 40A	1
37	0203002	Nut M4 - GB52	2
38	0211016	Washer D.4 - GB/T862.2	2
39	YC1-3015340	Reverser support	1
40	0202021	Screw M5X20 - GB/T70.1	2
41	0201004	Screw M4X12 - GB/T5781	2
42	0202033	Screw M6X20 - GB/T70.1	12
43	YC1-3015341	Connection rod	1
44	0202004	Screw M4X12 - GB/T70.1	1
45	YC1-3000175	Reverser lever	1
46	YC1-3015342	Support	1
47	0203004	Nut M6 - GB52	3
48	0205006	Washer D.6 - GB/T97.1	14
49	0204003	Nut M6 - GB/T889.1	3
50	0212001	Seeger D.12 - GB/T894.1	2
51	YC1-3002157	Pedal A	1
52	0201016	Screw M6X50 - GB/T5782	1
53	0205013	Washer D.12 - GB/T97.1	1
54	YC1-3000142	Pedal control spring	1

TAV.3	PEDAL BOX	ED. 09/2018
-------	-----------	-------------

55	YC1-3007953	Bush	2
56	YC1-3002159	Pedal B	2
57	YC2-3003095	Pedal alignment pin	1
58	YC2-3002160	Pedal C	1
59	0213003	Elastic pin 4X25 - GB/T879.1	3
60	0207032	Self-tapping screw ST3.5X13 - GB/T845	9
61	YC1-3001585	Valve flange	3
62	YC1-4299000	O-ring 17X4	18
63	YC1-3001584	Valve spacer	15
64	YC1-3002442	Valve pin 1	2
65	YC1-3001583	Valve body	3
66	0306021	Quick T union 8-1/8	1
67	0306046	Quick union 6-1/8	2
68	0306013	Silencer outlet adjuster 1/8	2
69	0306095	Rilsan hose 6X4 L=1200	1
70	0306095	Rilsan hose 6X4 L=1000	1
71	0306097	Rilsan hose 8X5 L=1200	1
72	YC2-2002531	Tilting control valve unit	1
73	YC1-2002529	Turntable valve unit	1
74	YC1-2006297	Bead breaking valve unit	1
75	YC1-2002002	Reverser assembly	1

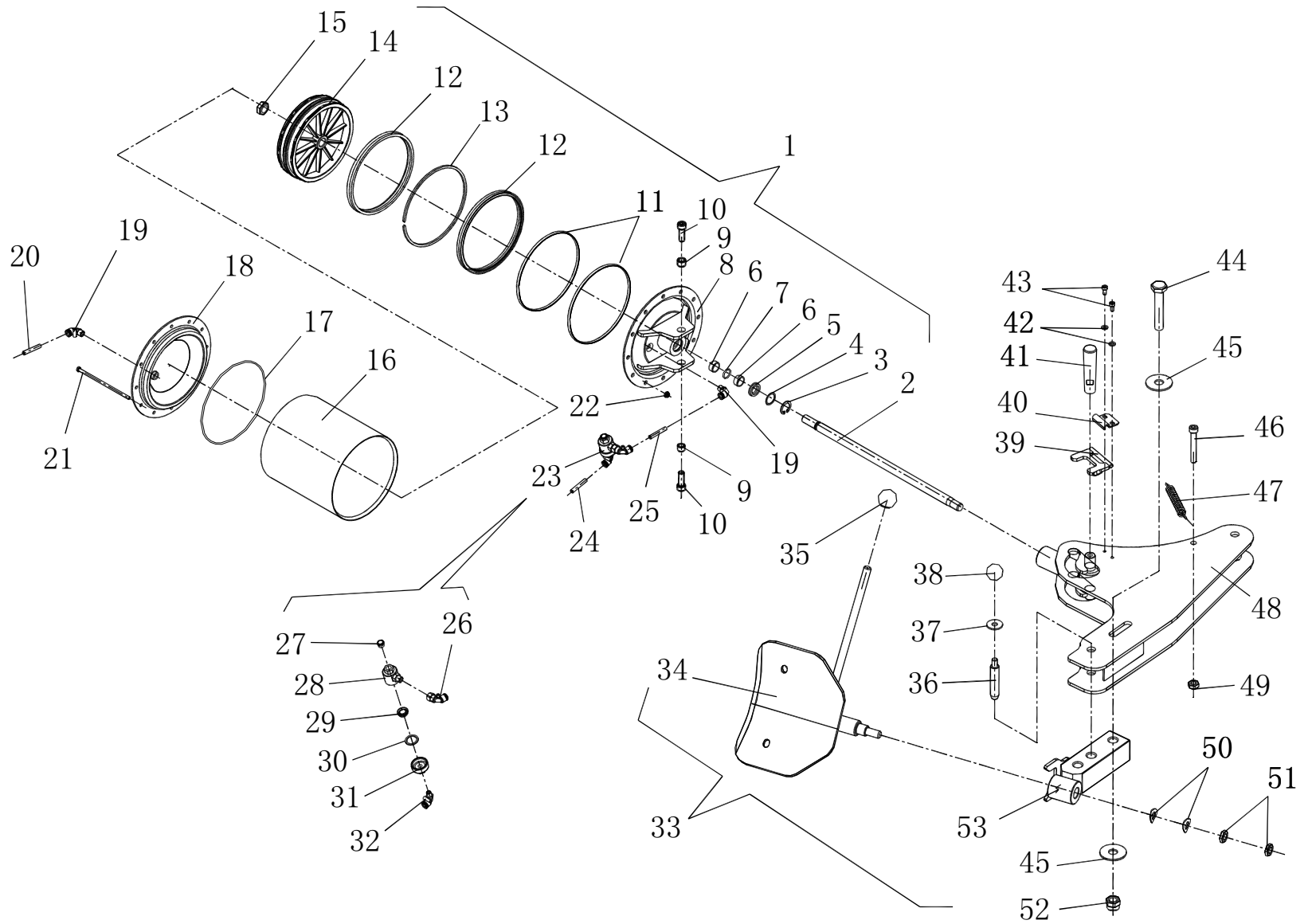


TAV.4	MOTOR –REDUCTION GEAR GROUP	ED. 09/2018
-------	-----------------------------	-------------

ITEM	PART NO.	DESCRIPTION	QTY	REMARK
1	0213027	Tab 16X70 - GB/T1096	1	
2	YC1-3010885	Helical gear stud	1	
3	0202049	Screw M8X30 - GB/T70.1	10	
4	YC1-3010872	Top gear box	1	
5	0214006	Bearing 6212-2RS - GB/T276	1	
6	0212010	Seeger D.60 - GB/T894.1	1	
7	YC1-3015537	Helical gear	1	
8	0214005	Bearing 6212 - GB/T276	1	
9	0213011	Elastic pin 8X20- GB/T119.1	2	
10	YC1-3010873	Bottom gear box	1	
11	0204004	Nut M8 - GB/T889.1	10	
12	YC1-3000149A	Motor support	1	
13	0205011	Washer D.10 - GB/T97.1	2	
14	0201062	Screw M10X20 - GB/T5783	2	
15	YC1-3000164	Spherical washer	1	
16	0201050	Screw M10X35 - GB/T5783	1	
17	0203032	Nut M10 - GB/T6170	1	
18	0201055	Screw M10X55 - GB/T5782	6	
19	0208007	Locking washer D.10 - GB/T93	6	
20	0205011	Washer D.10 - GB/T97.1	6	
21	0511052	V belt A580	1	
22	0204013	Nut M14 - GB/T6172.1	1	
23	0205017	Washer D.14 - GB/T97.1	1	
24	YC1-3199596	Gear box pulley	1	
25	YC1-4296942	Seal	1	
26	0309103	O-ring 34.5X3.55	1	
27	0214007	Bearing 30204 - GB/T297	2	

TAV.4	MOTOR –REDUCTION GEAR GROUP	ED. 09/2018
-------	-----------------------------	-------------

28	YC1-3010883	Worm	1
29	YC1-3010886	Seal cap	1
30	0213028	Tab 6X18 - GB/T1096	1
31	0209060	Screw M8X12	1
32	YC1-3000166	Motor pulley	1
33	0201038	Screw M8X25 - GB/T5783	4
34	0205008	Washer D.8 - GB/T97.1	4
35	0203029	Nut M8 - GB/T6170	4
36		Motor	1

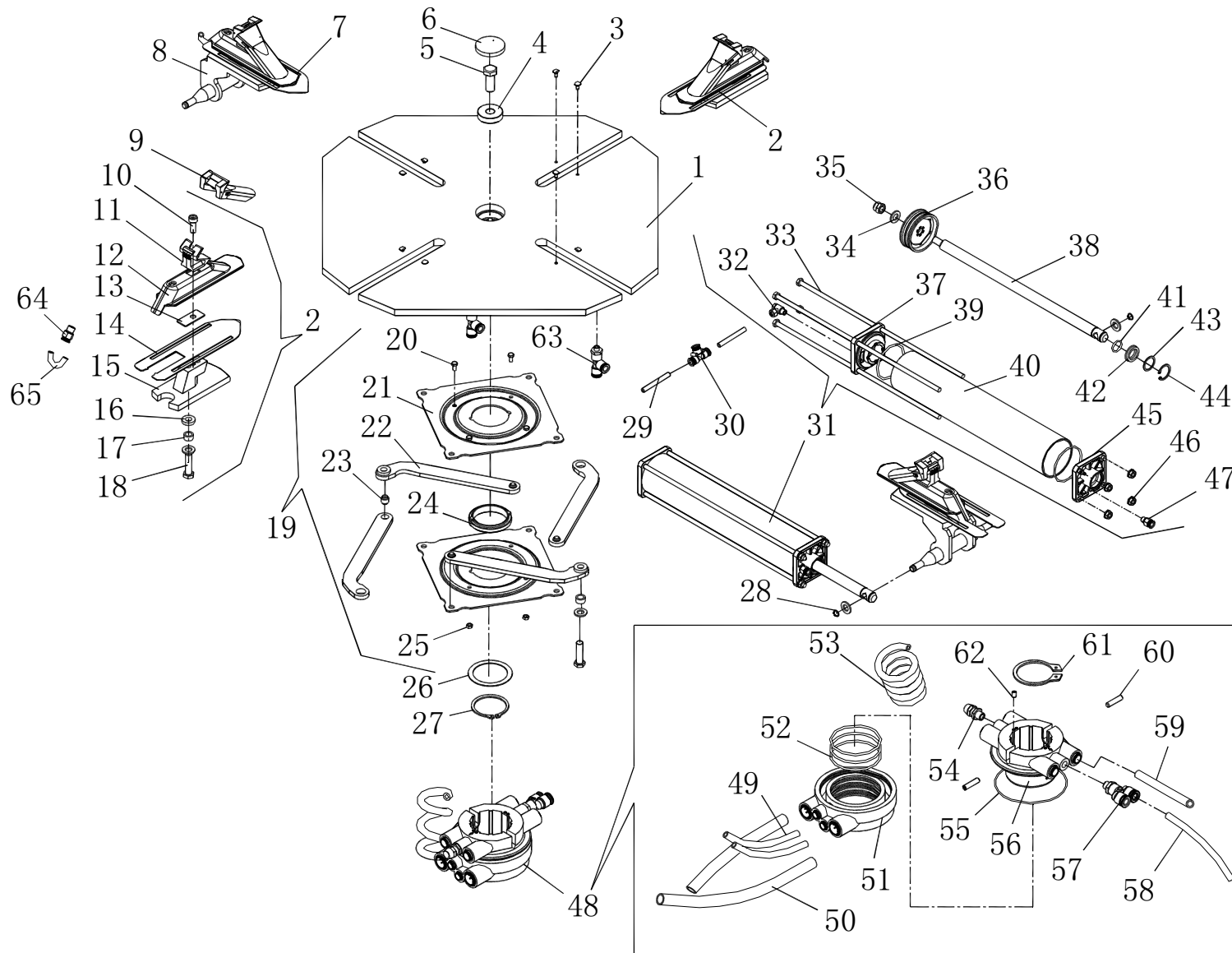


TAV.5	BEAD BREAKER	ED. 09/2018
-------	--------------	-------------

ITEM	PART NO.	DESCRIPTION	QTY	REMARK
1	YC2-2015850F	Bead breaker cylinder	1	
2	YC2-3007852-B	Piston rod	1	
3	0211004	Seeger D.30	1	
4	YC1-4398146	Washer	1	
5	0606016	Scraper 20X30X7	1	
6	0305041	Guide ring 67X9.5X2	2	
7	0606004	O-ring 20X2.75	1	
8	C207010100	Front flange	1	
9	YC1-3015573	Bush	2	
10	0202071	Screw M12X35 - GB/T70.1	2	
11	0606011	O-ring 195X3.55	2	
12	C207010004	Seal 188X200X12	2	
13	C207010001	Guiding ring	1	
14	C207010002	Piston	1	
15	0203022	Nut M18X1.5 - GB/T6171	1	
16	C207010006	Cylinder liner	1	
17	0606011	O-ring 195X3.55	2	
18	C207010007	Back flange	1	
19	0306032	90° quick union 8-1/4	2	
20	0306097	Rilsan hose 8X5 L=750	1	
21	0201032	Screw M8X255 - GB/T5782	12	
22	0204024	Nut M6	12	
23	C02AQ00100	Quick discharge valve unit	1	
24	0306097	Rilsan hose 8X5 L=800	1	
25	0306097	Rilsan hose 8X5	1	
26	0306039	Quick union 8-1/4	1	
27	0306086	Silencer G1/4	1	

TAV.5	BEAD BREAKER	ED. 09/2018
-------	--------------	-------------

28	C02AQ00101	Valve body	1
29	C02AQ00104	Seal	1
30	C02AQ00103	Seal	1
31	C02AQ00102	Valve cover	1
32	0306033	90° quick union 8-R1/8	1
33	C29A300000	Bead breaker arm assembly	1
34	104-2412275-D	Bead breaker arm	1
35	YC1-4299952	Knob	1
36	C29A300001	Shaft	1
37	0205010	Washer D.10 - GB/T96	1
38	0215017	Knob M10X33	1
39	C29A303000	Locking plate	1
40	C29A300002	Fastening plate	1
41	YCH-2012683	Handle	1
42	0205006	Washer D.6 - GB/T97.1	2
43	0202024	Screw M6X12-GB/T70.1	2
44	0201099	Screw M16X90 - GB/T5782	1
45	0205019	Washer D.16 - GB/T96	2
46	0202057	Screw M10X70 - GB/T70.1	1
47	YC1-3000114A	Arm spring	1
48	C29A301000	Bead break arm	1
49	0204005	Self-locking nut M10 - GB/T889.1	1
50	0208013	Washer D.14	2
51	0204013	Nut M14 - GB/T6172.1	2
52	0204008	Self-locking nut M16 - GB/T889.1	1
53	C29A302000	Pivot support	1



TAV.6	SELF-CENTERING TURNTABLE	ED. 09/2018
-------	--------------------------	-------------

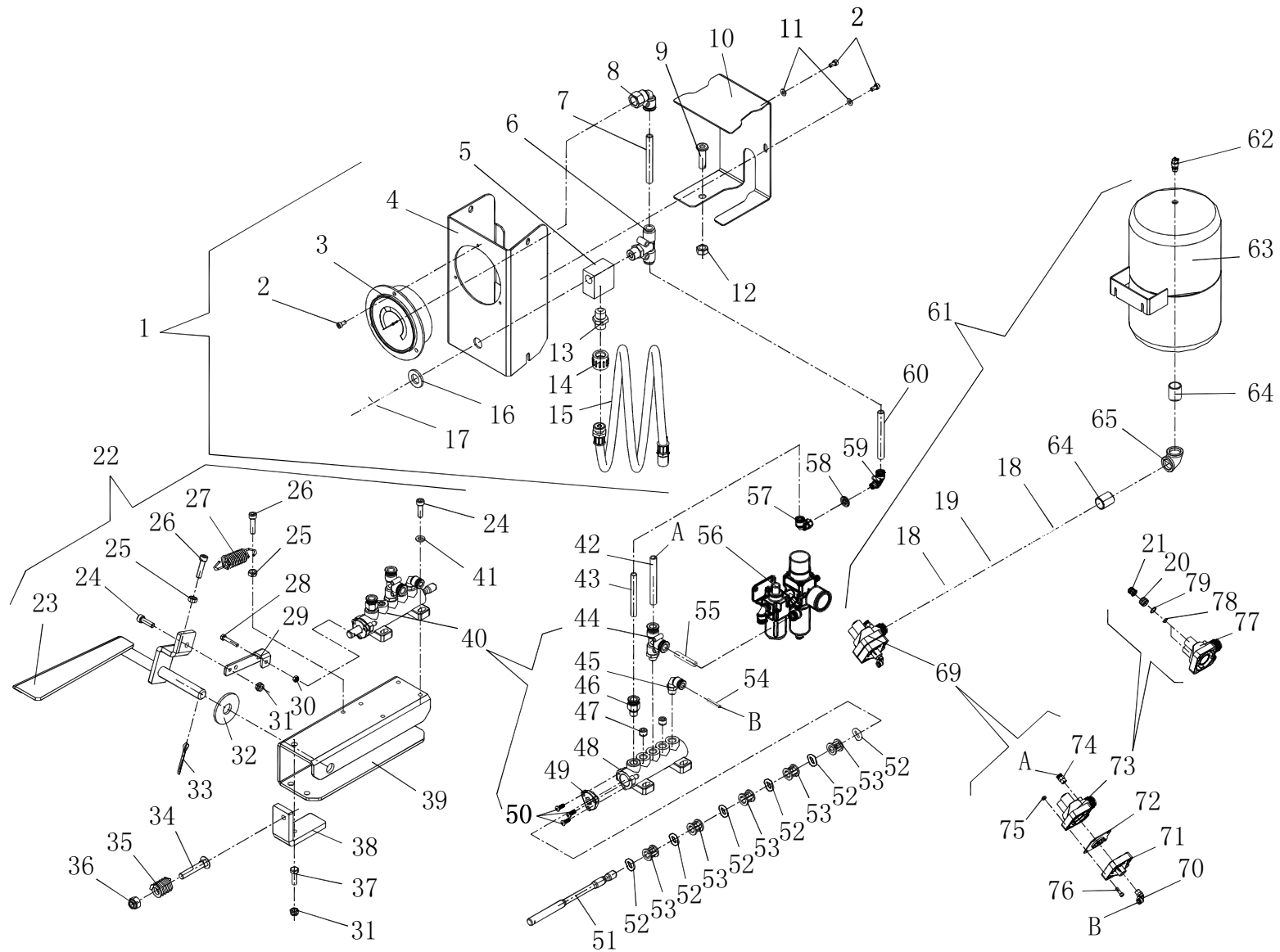
ITEM	PART NO.	DESCRIPTION	QTY	REMARK
1	C26B610000	Turntable	1	
2	104-2007002	Slide guide assembly	2	
3	0215027	Rivet $\phi 5.05 \times 15.5$	8	
4	YC1-3009778	Washer	1	
5	0201100	Screw M16X1.5X40 - GB/T5786	1	
6	YC1-3000062	Turntable cap	1	
7	104-2007003	Slide guide assembly	2	
8	YC1-2415756	Slide guide	2	
9	YC1-3001468	Clamp cover	4	
10	0202055	Screw M10X1.25X25 - GB/T70.1	4	
11	YC1-3002297	Oversize clamp	4	
12	YC2-2407387	Slide	4	
13	104-3015858	Spacer	4	
14	104-3015171-B	Turntable plate	4	
15	YC1-2412860	Slide guide	2	
16	YC1-3006879	Spacer	4	
17	YC1-3006880	Connection rod spacer	4	
18	0201143	Screw M12X45	4	
19	104-2007001	Turntable flange assembly	1	
20	0201011	Screw M6X12 - GB/T5783	4	
21	YC1-3006869	Turntable flange	2	
22	104-3011876-A	Connecting plate	4	
23	YC1-3006878	Shaft	4	
24	YC1-3007420	Shaft sleeve	1	
25	0203004	Nut M6 - GB52	4	
26	YC1-3006869-A	Connection rod spacer	1	
27	0212011	Seeger D.65 - GB/T894.1	1	

TAV.6	SELF-CENTERING TURNTABLE	ED. 09/2018
-------	--------------------------	-------------

28	0212001	Seeger D.12	4
29	0306097	Rilsan hose 8X5 L=140	1
30	0306022	Quick T union D.8	1
31	C26B600100	Turntable cylinder	2
32	0306016	Union Φ 8 G1-8	2
33	0201034	Screw M8 \times 371	4
34	0205013	Washer D.12 - GB/T97.1	10
35	0204007	Nut M12 - GB/T889.1	2
36	YC1-4198856	Piston	2
37	YC1-3015023A	Flange	2
38	YCP-3008859	Piston rod	2
39	0606007	O-ring 75X3.1 - GB/T1235	4
40	YC1-3008042	Cylinder liner	2
41	0606004	O-ring 20X2.75 - GB/T3452.1	2
42	0606016	Scraper 20X30X7	2
43	YC1-4398146	Washer	2
44	0211004	Seeger D.30 - GB/T893.1	2
45	YC1-3015024A	Flange	2
46	0204025	Nut M8 - GB/T6177.1	8
47	0306045	Quick union 8-1/8	2
48	YC2-4298992	Rotation union GT	1
49	0306097	Rilsan hose 8X5 L=1000	2
50	0306098	Rilsan hose 14X11 L=1100	2
51	YC2-4298992A	Outer element of rotation union	1
52	0309065	O-ring 63X2.65 - GB/T3452.1	3
53	0306103	Spiral hose ϕ 8X5 (black)	1
54	0306069	Rotation union 8-1/8	1

TAV.6	SELF-CENTERING TURNTABLE	ED. 09/2018
-------	--------------------------	-------------

55	0309067	O-ring 90X1.8 - GB/T3452.1	1
56	YC2-4298992B	Inner element of rotation union	1
57	0306001	Quick T union 8-1/8	1
58	0306097	Rilsan hose 8X5 L=350	2
59	0306094	Rilsan hose 10X6.5 L=320	4
60	0209018	Screw M6X25 - GB/T77	2
61	0212009	Seeger D.50 - GB/T894.1	1
62	0209043	Screw M4X6 - GB/T77	4
63	0306135	Quick T union 10-1/8	4
64	0306143	Connection rod spacer 10-1/4	4
65	0306094	Rilsan hose 10X6.5L=350mm	4



TAV.7	GT INFLATING DEVICE	ED. 09/2018
-------	---------------------	-------------

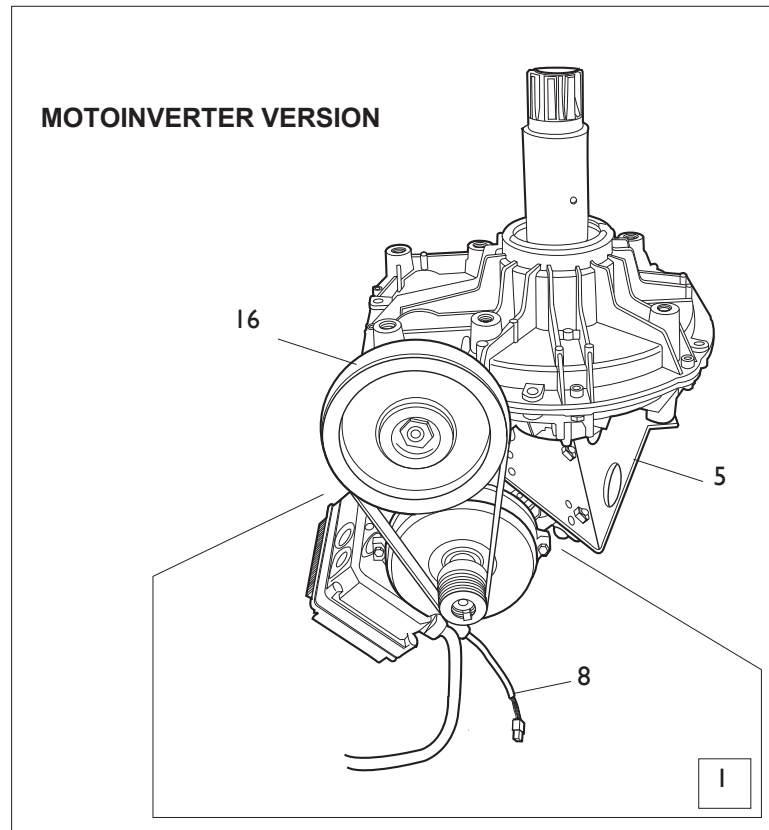
ITEM	PART NO.	DESCRIPTION	QTY	REMARK
1	YC2-2014217A	GT pneumatic unit	1	
2	0202008	Screw M4X8 - GB/T70.1	5	
3	0305058	Pressure gage Φ 80-1/4	1	
4	YC2-3015108A	GT front plate	1	
5	YC2-3015111A	Tee union	1	
6	0306019	Quick tee union 8-1/4	1	
7	0306096	Rilsan hose 8X5.5L=70	1	
8	0306039	Quick union 8-1/4	1	
9	0511124	GT hose holder M8	1	
10	YC2-3015109	GT back plate	1	
11	0205002	Washer D.4 - GB/T97.1	2	
12	0203029	Nut M8 - GB/T6170	1	
13	0306156	Plug G1-4	1	
14	0306017	Clasp nut G1/4	1	
15	0306110	GT control unit hose 1/4 L=1500	1	
16	0205013	Washer D.12 - GB/T97.1	1	
17	YC2-4299354	Release valve unit	1	
18	C04A301013	Seal	4	
19	0306055	Air hose	1	
20	YC2-4401402	Outer bush	2	
21	YC2-4401401	Locking bush	2	
22	YC2-2012486	GT valve system	1	
23	YC2-2410288	GT pedal	1	
24	0202033	Screw M6X20 - GB/T70.1	5	
25	0203004	Nut M6 - GB/T52	2	
26	0202034	Screw M6X25 - GB/T70.1	2	
27	YC2-3000141	Spring	1	

TAV.7	GT INFLATING DEVICE	ED. 09/2018
-------	---------------------	-------------

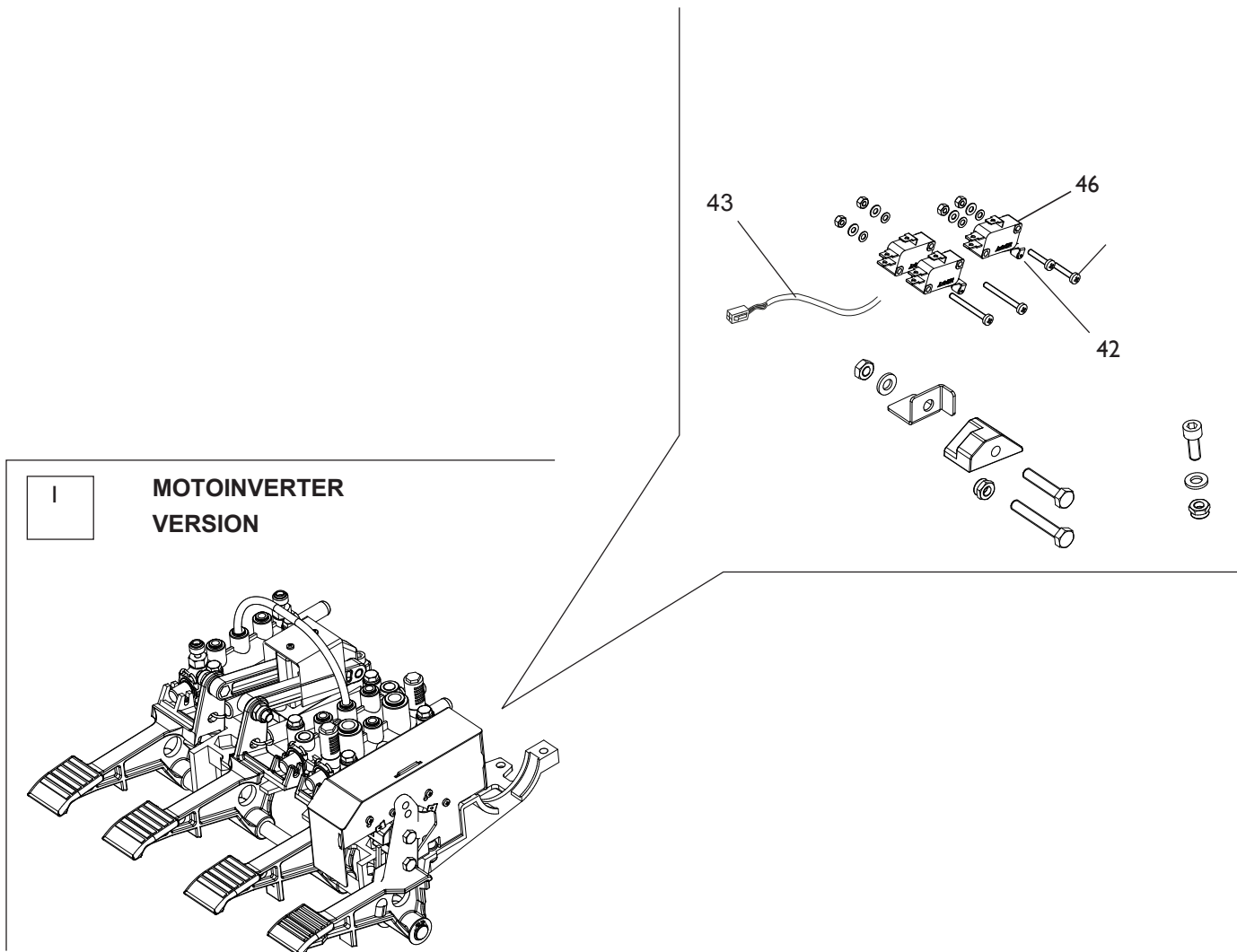
28	0201002	Screw M4X25	1
29	YC2-3001853	Valve control lever	1
30	0204001	Nut M4 - GB/T889.1	1
31	0204003	Nut M6 - GB/T889.1	2
32	0205016	Washer Φ14	1
33	0213020	Elastic pin 3X30	1
34	0201170	Screw M8X45	1
35	YC2-4298942	Spring	1
36	0204004	Nut M8 - GB/T889.1	1
37	0201014	Screw M6X20 - GB/T5783	1
38	YC2-3008005	Limit stop screw support	1
39	YC2-3010287	Valve unit support	1
40	YC2-2009718	GT valve unit	1
41	0205006	Washer D.6 - GB/T97.1	4
42	0306097	Rilsan hose 8X5 L=500	1
43	0306097	Rilsan hose 8X5 L=400	1
44	0306021	Quick T union 8-1/8	1
45	0306036	Quick union 6-1/8	1
46	0306142	90 degree quick union 8-1/8	1
47	0305014	Plug1/8	2
48	YC1-3001583	Valve body	1
49	YC1-3001585	Valve flange	1
50	0207032	Self-tapping screw ST3.5X13 - GB/T845	3
51	YC2-3001849	Valve pin 4	1
52	YC1-4299000	O-ring 17X4	6
53	YC1-3001584	Valve spacer	5
54	0306095	Rilsan hose 6X4 L=400	1

TAV.7	GT INFLATING DEVICE	ED. 09/2018
-------	---------------------	-------------

55	0306097	Rilsan hose 8X5L=1000	1
56	C00AQ52000	SMC lubricator + filter regulator	1
57	0306034	90° union 8-1/8	1
58	0205011	Washer D.10 - GB/T97.1	1
59	0306033	90° quick union 8-R1/8	1
60	0306097	Rilsan hose 8X5L=850	1
61	YC2-2012485	Air tank	1
62	0306004	Safety valve 1/4 10bar	1
63	YC2-2402899	Air tank	1
64	0511133	Union	2
65	0511076	Elbow union 1"	1
66	0511033	Pagoda union 1"	1
67	YC2-3005041	Pipe	1
68	0511020	Sleeve collar 1"	1
69	YC2-4198531	Pneumatic valve	1
70	0306047	90° quick union 6-1/4	1
71	YC2-4198531-1	Valve flange	1
72	YC2-4198531B	Elastic separation part	1
73	YC2-4198531A	Valve body	1
74	0306044	Quick union 8-1/4	1
75	0203035	Nut M6	4
76	0202033	Screw M6X20 - GB/T70.1	4
77	YC2-4198531-2	Valve body	1
78	YC2-4401404	O-ring(13.2X2.65)	2
79	YC2-4401403	Seeger	2



Ref.	Code	Description
1	GS1775/001	MOTOINVERTER 2 SPEED 230V/1/50-60HZ
5	24704	MOTOINVERTER SUPPORT
8	20200763	COMMAND CABLE MOTOINVERTER
16	4293871	MOTOR BELT 2 SPEED



1

**MOTOINVERTER
VERSION**

- 1 5-106268
- 42 CR179215742
- 46 CR1831611F
- 43 20200763

PEDAL ASSEMBLY MOTOINVERTER
 MICRO LEVER
 MICRO 16A 250V
 CABLE



CORMACH S.r.l.
via A. Pignedoli, 2
42015 CORREGGIO (RE) ITALY
Tel. +39 0522 631274 - Fax +39 0522 631284
e-mail: cormach@cormachsrl.com
www.cormachsrl.com

